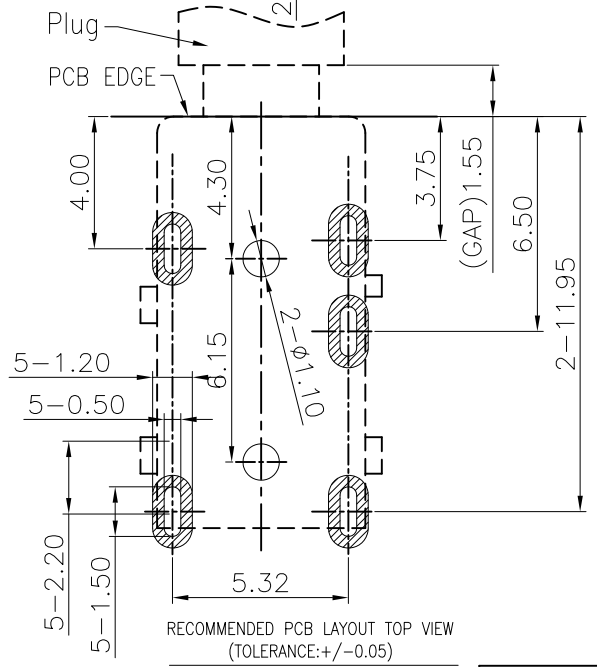
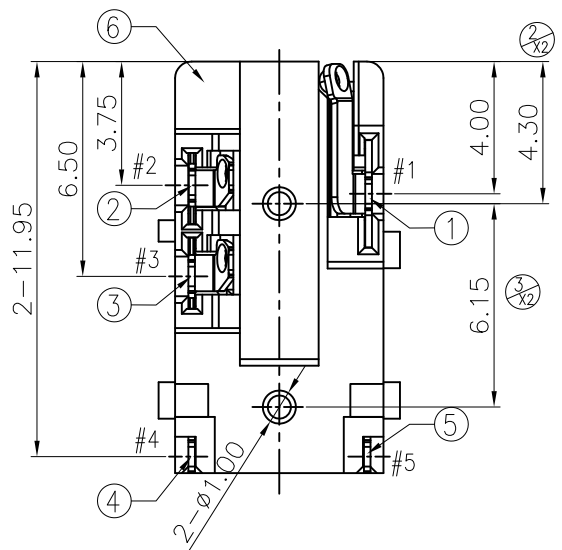
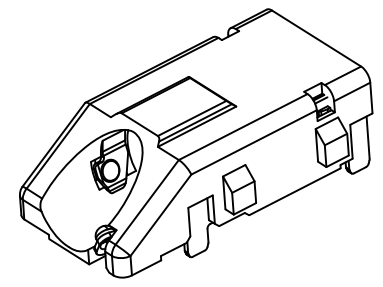
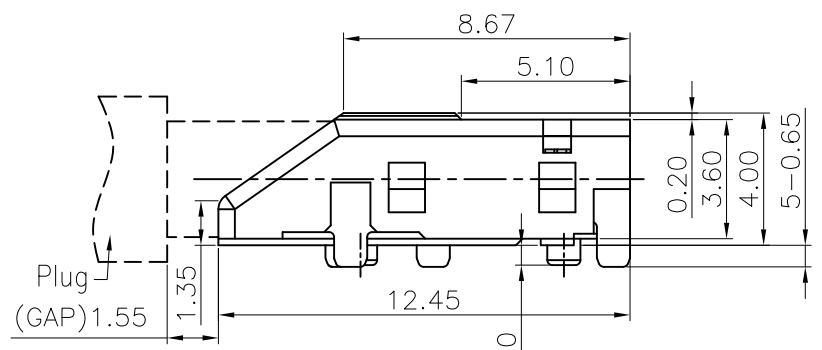
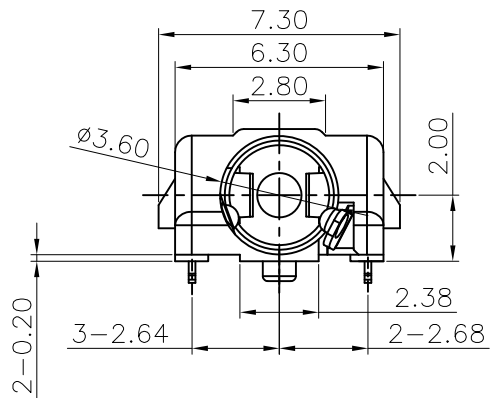
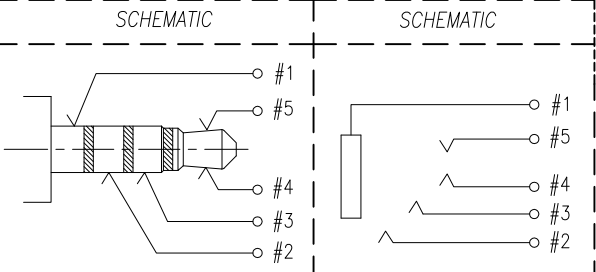
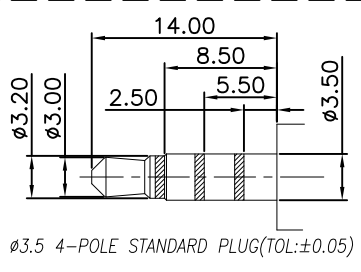


REV.	NOTES	DATE
A	RELEASED	2017/08/23



- NOTES:
- CONTACT CURRENT RATING:12V 1A.
 - CONTACT RESISTANCE: 30MΩ MAX.;
 - INSULATION RESISTANCE: 100MΩ MIN.;
 - DIELECTRIC WITHSTANDING: 500V AC MIN.;
 - DURABILITY: 5,000 CYCLES MIN.;
 - CONNECTOR MATING FORCES:
29.4N (3.00Kgf) MAX.;
 - CONNECTOR UNMATING FORCES:
2.94N(0.30Kgf) MIN.;

6	HOUSING	HIGH TEMP	BLACK	UL 94V-0
5	TERMINAL 5#	COPPER ALLOY T=0.20mm	—	GOLD PLATING ON CONTACT & SOLDER TALL AREA ALL OVER NICKEL PLATING
4	TERMINAL 4#	COPPER ALLOY T=0.20mm	—	
3	TERMINAL 3#	COPPER ALLOY T=0.20mm	—	
2	TERMINAL 2#	COPPER ALLOY T=0.20mm	—	
1	TERMINAL 1#	COPPER ALLOY T=0.20mm	—	
NO.	DESCRIPTION	MATERIAL	COLOR	REMARK



DIMENSIONS TOLERANCE METRIC

X :±0.5
X.X :±0.30
X.XX :±0.20

ANGLES
X :±1°
X.X :±0.5°

單位(UNITS)	mm
數量(QT'Y)	N/A
材料(MT'L)	SEE NOTE
處理(FINISH)	SEE NOTE
繪圖(DRAW)	
設計(DE'N)	
審核(CH'K)	
核准(APP'D)	

東莞翊豐精密五金有限公司

圖名(NAME)
ø 3.50 mm PHONE JACK CONN

料號(PART NUMBER)	AAPJ+PJ05P-4ZL2
圖號(DRAW NUMBER)	
圖檔(FILE NAME .DWG)	
比例(SCALE)	1/1
圖紙(SIZE)	A4
頁次(SHEET)	1
版次(REV.)	A