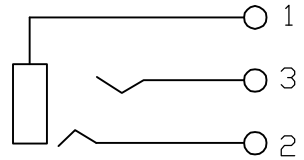
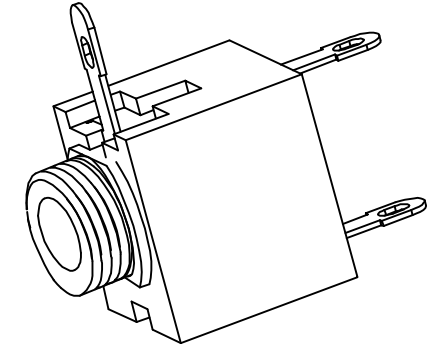
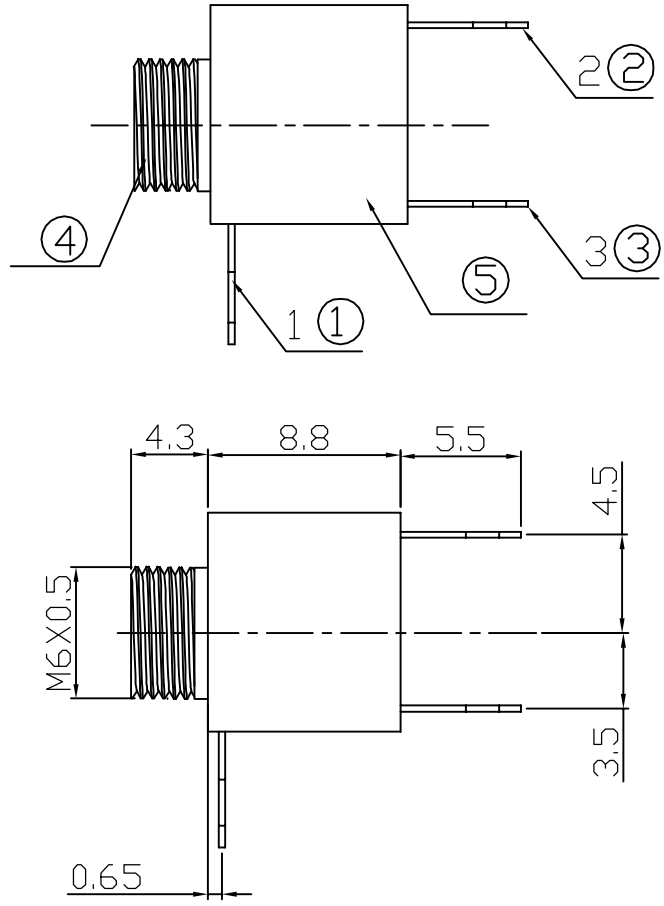
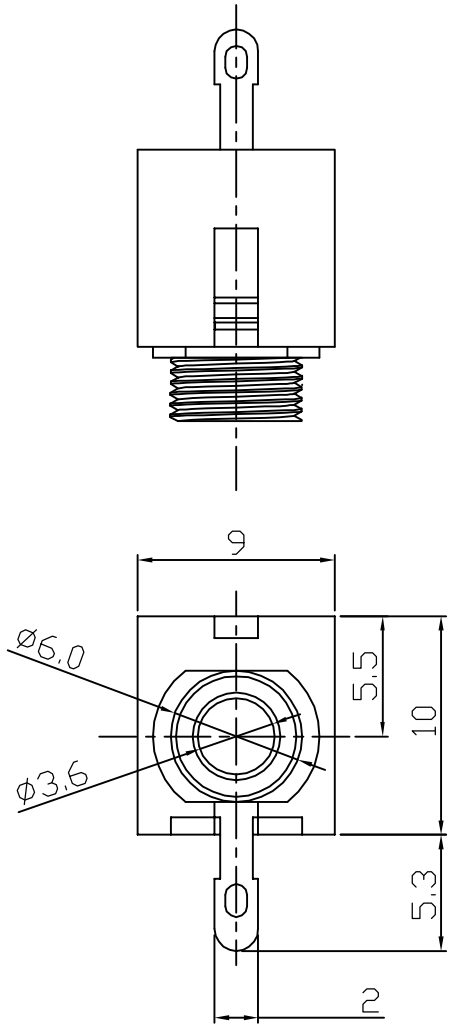


REV.	NOTES	DATE
A	RELEASED	2016/06/20



CIRCUIT DIAGRAM

①	HOUSING	1	PBT (Black)	
②	FLX TURN	1	H59	Ni-plated
③	TERMINAL	1	BRASS t=0.25	Ag-Plated
④	TERMINAL	1	PHOSPHOR BRONZE t=0.25	Ag-Plated
⑤	TERMINAL	1	BRASS t=0.30	Ag-Plated
No.	PART NAME	QTY	MATERIAL (THICK, COLOR)	REMARK

單位(UNITS)	mm	東莞翊豐精密五金有限公司			
數量(QTY)	N/A				
材料(MTL)	SEE NOTE				
處理(FINISH)	SEE NOTE				
繪圖(DRAW)		圖名(NAME) PHONE JACK 3.5耳機座			
設計(DE'N)		料號(PART NUMBER)	AAPJ-PJ03P-ZSYGP		
審核(CH'K)		圖號(DRAW NUMBER)			
核准(APP'D)		圖檔(FILE NAME .DWG)			
		比例(SCALE)	1/1	圖紙(SIZE)	A4
		頁次(SHEET)	1	版次(REV.)	A

DIMENSIONS TOLERANCE METRIC

X : ±0.5
X.X : ±0.30
X.XX : ±0.20

ANGLES

X : ±1°
X.X : ±0.5°