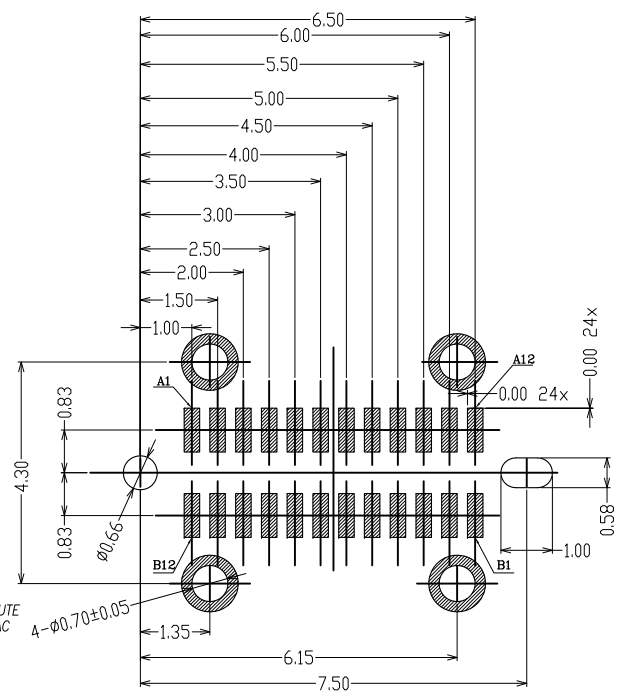


USB TYPE-C FULL-FEATURED RECEPTACLE INTERFACE PIN ASSIGNMENTS

PIN	Signal Name	Description	PIN	Signal Name	Description
A1	GND	Ground return	B12	GND	Ground return
A2	SSTXn1	Positive half of first SuperSpeed TX differential pair	B11	SSTXp1	Positive half of first SuperSpeed TX differential pair
A3	SSTXn1	Negative half of first SuperSpeed TX differential pair	B10	SSTXp1	Negative half of first SuperSpeed TX differential pair
A4	Vbus	Bus Power	B9	Vbus	Bus Power
A5	CC1	Configuration Channel	B8	CC1	Configuration Channel
A6	Dn1	Positive half of the USB 2.0 differential pair-Position 1	B7	Dp1	Positive half of the USB 2.0 differential pair-Position 1
A7	Dn1	Negative half of the USB 2.0 differential pair-Position 1	B6	Dn1	Negative half of the USB 2.0 differential pair-Position 1
A8	RFU1	Reserved for Future Use (RFU)	B5	RFU1	Reserved for Future Use (RFU)
A9	Vbus	Bus Power	B4	Vbus	Bus Power
A10	SSRXn2	Negative half of second SuperSpeed RX differential pair	B3	SSRXp2	Positive half of second SuperSpeed RX differential pair
A11	SSRXn2	Positive half of second SuperSpeed RX differential pair	B2	SSRXp2	Negative half of second SuperSpeed RX differential pair
A12	GND	Ground return	B1	GND	Ground return

- SPECIFICATIONS:
- ELECTRICAL CHARACTERISTICS:
 - RATING: 25 DCV 5A MIN FOR VBUS;0.25A MIN FOR OTHER.
 - CONTACT RESISTANCE: 40mΩ MAX.
 - DIELECTRIC WITHSTANDING VOLTAGE: 100V AC FOR ONE MINUTE
 - INSULATION RESISTANCE: 100MΩ MIN. MEASURED BY 100 VAC
 - MECHANICAL CHARACTERISTICS:
 - INSERTION FORCE : 5~20N.
 - WITHDRAWAL FORCE : 8~20N.
 - LIFE TEST: 10000 CYCLES .
 - OTHER GENERAL SPEC. TO REFER "2XXXXXX SPEC".
 - TO CONFORM TO SINGATRON HAZARDOUS SUBSTANCE FREE SPECIFICATION
 - HALOGEN FREE PRODUCT IDENTIFICATION LOGO ON PACKAGING:
 - PACKAGING:ERRL

REV.	NOTES	DATE
A	RELEASED	2021/03/19
B	修改图面上增加结合线打压花	2021/08/06
C	油墨喷码改用激光打DC	2022/08/05



E	CAP	1	LCP,UL94V-0	BLACK
D	SHILD	1	SUS304 T=0.15	N/A
C	CONATCT	24	C7025 T=0.15	30u" MIN NICKEL ALL OVER;50u"MIN TH ON SOLDER AREA 30u"MIN AU ON CONTACT AREA
B	SHELL	1	SUS304 T=0.30	30u" Min. Ni PLATED
A	HOUSING	2	LCP,UL94V-0	BLACK
NO	DESCRIPTION	QTY	MATERIAL	PLATING & COLOR

單位(UNITS)	mm	東莞翊豐精密五金有限公司		
數量(QT'Y)	N/A			
材料(MT'L)	SEE NOTE			
處理(FINISH)	SEE NOTE			
繪圖(DRAW)		圖名(NAME) USB 3.1 C TYPE 母頭直立式SMT L=9.30MM 有柱 ROHS		
設計(DE'N)		料號(PART NUMBER) AAUS+S6N21-7RZL		
審核(CH'K)		圖號(DRAW NUMBER)		
核淮(APP'D)		圖檔(FILE NAME .DWG)		
	比例(SCALE) 1/1	圖紙(SIZE) A4	頁次(SHEET) 1/2	版次(REV.) C

DIMENSIONS TOLERANCE METRIC

X	:±0.3
X.X	:±0.2
X.XX	:±0.1
X.XXX	:±0.05
ANGLES	
X	:±1°
X.X	:±0.5°