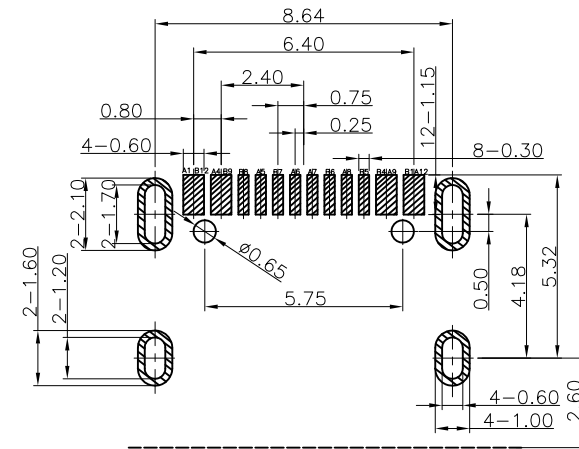
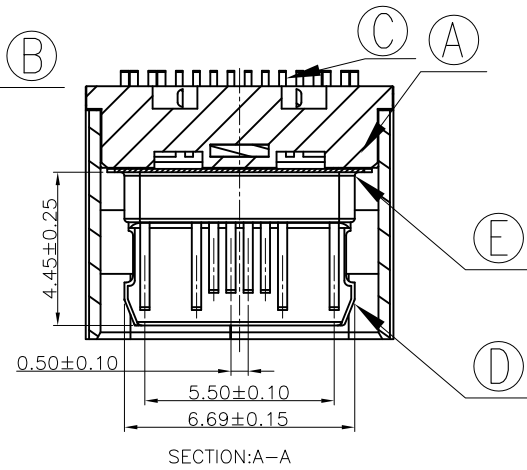
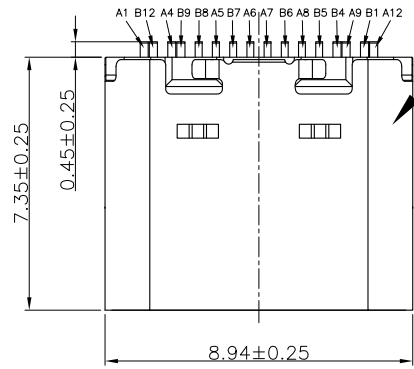


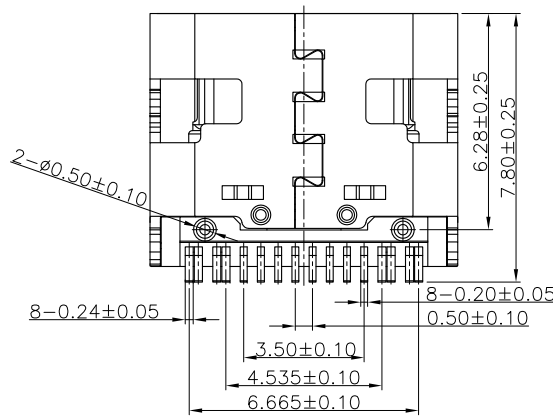
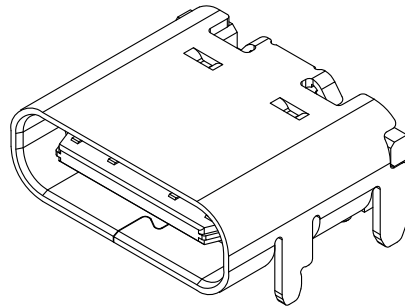
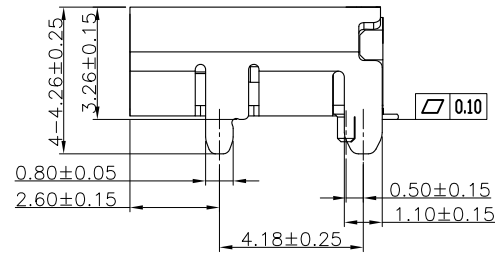
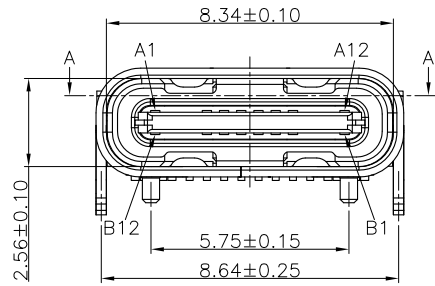
REV.	NOTES	DATE
A	RELEASED	2020/11/09



CONNECTOR FRONT EDGE
RECOMMENDED P.C.B. LAYOUT
 TOLERANCE UNSPECIFIED ±0.05mm

SPECIFICATIONS:

- ELECTRICAL CHARACTERISTICS:**
 - RATING: 20V 5A MIN FOR VBUS; 0.25A MIN FOR OTHER.
 - CONTACT RESISTANCE: 40mΩ MAX.
 - DIELECTRIC WITHSTANDING VOLTAGE: 100V AC FOR ONE MINUTE
 - INSULATION RESISTANCE: 100MΩ MIN. MEASURED BY 100 VDC
- MECHANICAL CHARACTERISTICS:**
 - INSERTION FORCE : 5~20N.
 - WITHDRAWAL FORCE : 8~20N. After Life Test , Un-mating force: 6~20N;
- LIFE TEST:** 10000 CYCLES .
- OTHER GENERAL SPEC. TO REFER "2XXXXXX SPEC".**
- TO CONFORM TO SINGATRON HAZARDOUS SUBSTANCE FREE SPECIFICATION**
- HALOGEN FREE PRODUCT IDENTIFICATION LOGO ON PACKAGING:**
- PACKAGING:ERRL**



A1	GND	B12	GND
A4	VBUS	B9	VBUS
A5	CC1	B8	SBU2
A6	DP1	B7	DN2
A7	DN1	B6	DP2
A8	SBU1	B5	CC2
A9	VBUS	B4	VBUS
A12	GND	B1	GND
PIN	SIGNAL NAME	PIN	SIGNAL NAME

DIMENSIONS TOLERANCE METRIC
 X :±0.3
 X.X :±0.2
 X.XX :±0.1
 X.XXX :±0.05
 ANGLES
 X :±1°
 X.X :±0.5°

E	DESCRIPTION	QTY	MATERIAL	PLATING & COLOR
E	GND	2	SUS316 T=0.10	N/A
D	CLIP	1	SUS301 T=0.15	N/A
C	CONTACT	16	C7025 T=0.15	0.6u"Gold In Contact Area 30u"MIN.Matte Sn Plate In Solder Area. Over 30u" MIN. Ni.
B	SHELL	1	SUS304 T=0.30	30u" Min. Ni PLATED
A	HOUSING	2	LCP,UL94V-0	BLACK

單位(UNITS)	mm
數量(QTY)	N/A
材料(MT'L)	SEE NOTE
處理(FINISH)	SEE NOTE

東莞翊豐精密五金有限公司

圖名(NAME) **USB C F TYPE**
 單排SMT16PIN 板上3.26

繪圖(DRAW)	料號(PART NUMBER)		AAUS+TC16P-CF003	
設計(DE'N)	圖號(DRAW NUMBER)			
審核(CH'K)	圖檔(FILE NAME .DWG)			
核准(APP'D)	比例(SCALE)	1/1	圖紙(SIZE)	A4
	頁次(SHEET)	1/2	版次(REV.)	A