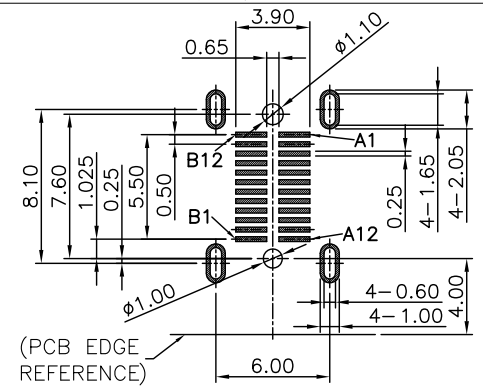
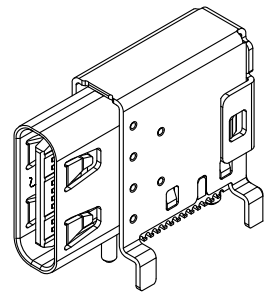
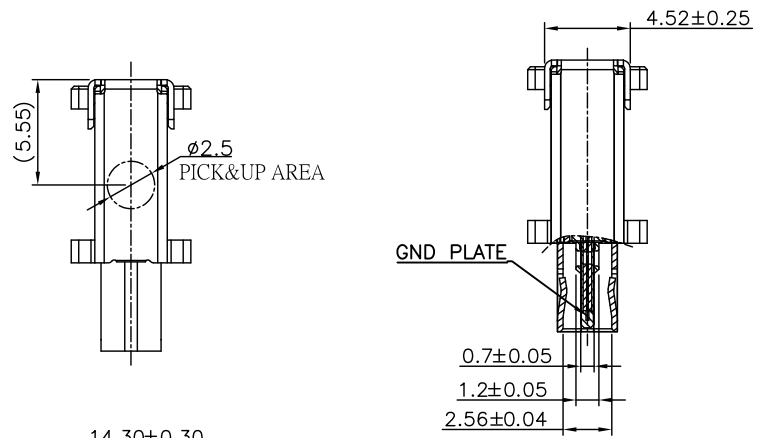


REV.	NOTES	DATE
A	RELEASED	2020/06/21
B	调整图面格式	2023/02/09

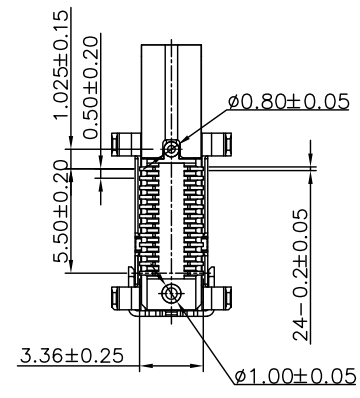
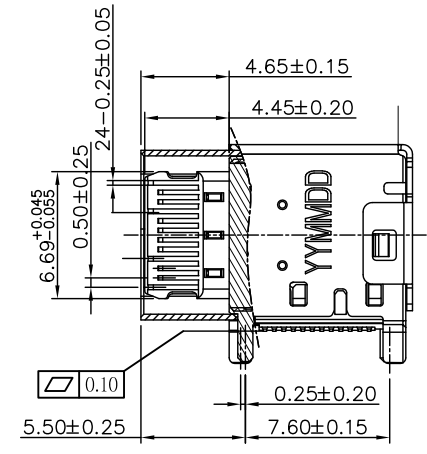
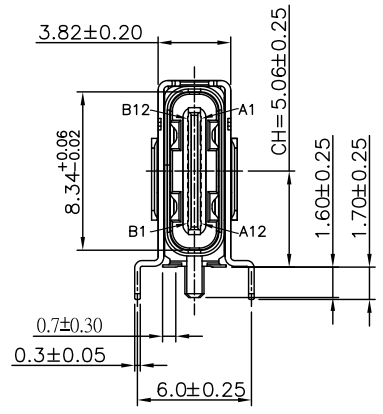
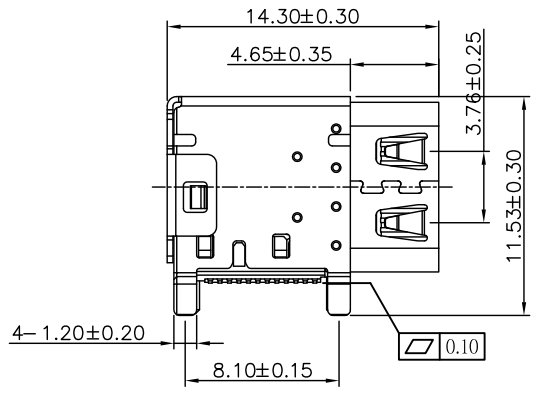


RECOMMENDED P.C.B LAYOUT
TOLERANCE ± 0.05mm (TOP VIEW)

NOTES:

SPECIFICATION

- CURRENT RATING : 5.0A FOR Vbus PIN, 1.25A FOR Vconn PIN, 0.25A FOR OTHER PINS.
- VOLTAGE RATING : 20V DC MAX.
- CONTACT RESISTANCE : 40mΩ.
- INSULATION RESISTANCE : 100MΩ MIN.
- DIELECTRIC WITHSTANDING VOLTAGE : 100 VAC MIN.
- OPERATING TEMPERATURE : -40°C TO +85°C.
- MATING FORCE : 5~20N.
- UNMATING FORCE : 8~20N.
- DURABILITY : 10,000 CYCLES.
- RECOMMENDED PROCESS : THE PEAK TEMPERATURE ON THE BOARD SHALL MAINTAIN 260°C.



PIN ASSIGNMENT:

PIN	Signal Name	PIN	Signal Name
A1	GND	B12	GND
A2	SSTXp1	B11	SSRXp1
A3	SSTXn1	B10	SSRXn1
A4	Vbus	B9	Vbus
A5	CC1	B8	SBU2
A6	Dp1	B7	DN2
A7	Dn1	B6	DP2
A8	SBU1	B5	CC2
A9	Vbus	B4	Vbus
A10	SSRXn2	B3	SSTXn2
A11	SSRXp2	B2	SSTXp2
A12	GND	B1	GND

NO.	DESCRIPTION	MATERIAL	REMARKS	QTY
4	MID PLATE	SUS301	NA	1PCS
3	SHELL	SUS304	Overall Ni 50u"	1PCS
2	CONTACT	C18150	0.6u" Gold in Contact Area , GOLD FLASH PLATED ON SOLDER TAIL,30u" Nickel plated over all	24PCS
1	HOUSING	LCP	BLACK	1PCS

單位(UNITS)	mm	東莞翊豐精密五金有限公司
數量(QTY)	N/A	
材料(MTL)	SEE NOTE	
處理(FINISH)	SEE NOTE	
繪圖(DRAW)		圖名(NAME) USB C TYPE 24PIN FEMALE 側插雙排SMT 板上中心5.06
設計(DESIGN)		料號(PART NUMBER) AAUS+TC24P-XN044T
審核(CHECK)		圖號(DRAW NUMBER)
核准(APPROVED)		圖檔(FILE NAME) .DWG
	比例(SCALE) 1/1	圖紙(SIZE) A4
		頁次(SHEET) 1/2
		版次(REV.) B

DIMENSIONS TOLERANCE METRIC

X :±0.3
X.X :±0.2
X.XX :±0.1
X.XXX :±0.05

ANGLES
X :±1°
X.X :±0.5°