

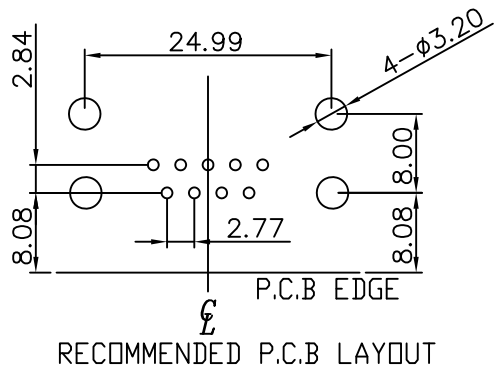
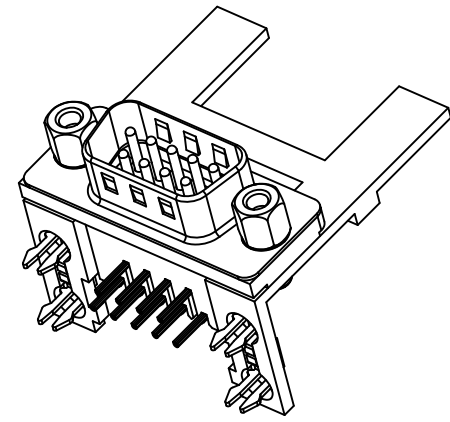
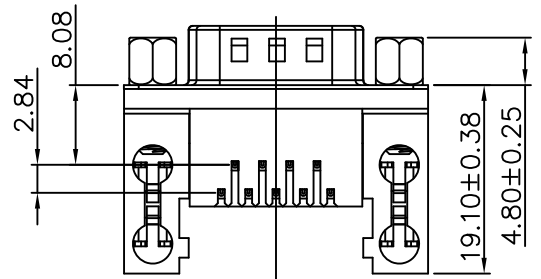
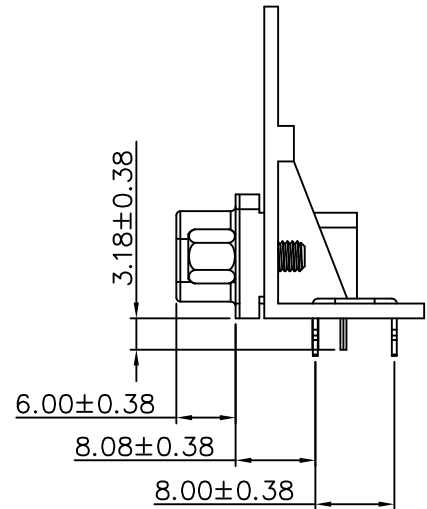
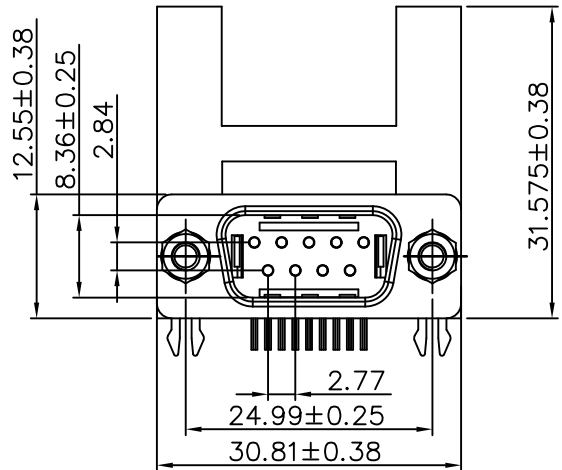
REV.	NOTES	DATE
01	RELEASED	2023/03/20

SPECIFICATIONS

1. D-SUB
- 1.1 Voltage: 250 VAC(RMS) Max.
- 1.2 Current Rating: 3 Ampere per Contact
- 1.3 Contact Resistance: 25 Milliohms Max.
- 1.4 Insulation Resistance: 1000 Megohms Min.
- 1.5 Dielectric Withstanding Voltage: 1000V AC(RMS)
- 1.6 Total Mating Force: 4.0 Kgf Max.
- 1.7 Total Unmating Force: 1.0 Kgf Min.
- 1.8 Operating Temperature: -55°C to +85°C

NOTES

1. MATERIAL:
 - Housing(LOWER):,PBT,UL 94V-0,Green
 - Terminal:Copper Alloy.
 - Shell:SPCC.
 - Boardlock:Copper Alloy.
 - Bracket:Zinc Alloy.
 - Screw:Ferroalloy.
2. FINISH:
 - Terminal:Gold Plated over Nickel at Contact Area.
 - Tin Plated over Nickel at Solder Ared.
 - Shell:Nickel Plated.
 - Boardlock:Tin Plated.
 - Bracket:Nickel Plated.
 - Screw:Nickel Plated.
3. This Product is LEAD-FREE & RoHS Compliance Product.



DIMENSIONS TOLERANCE METRIC	
X	:±0.5
X.X	:±0.38
X.XX	:±0.25
ANGLES	
X	:±1°
X.X	:±0.5°

單位(UNITS)	mm	東莞翊豐精密五金有限公司 圖名(NAME) D-SUB9公无高座一体式支架 柳樹4.8螺絲 綠色,ROHS							
數量(QTY)	N/A								
材料(MTL)	SEE NOTE								
處理(FINISH)	SEE NOTE								
繪圖(DRAW)		料號(PART NUMBER)	AA20+DS09P-2580						
設計(DE'N)		圖號(DRAW NUMBER)							
審校(CH'K)		圖檔(FILE NAME .DWG)							
核准(APP'D)		比例(SCALE)	1/1	圖紙(SIZE)	A4	頁次(SHEET)	1	版次(REV.)	01