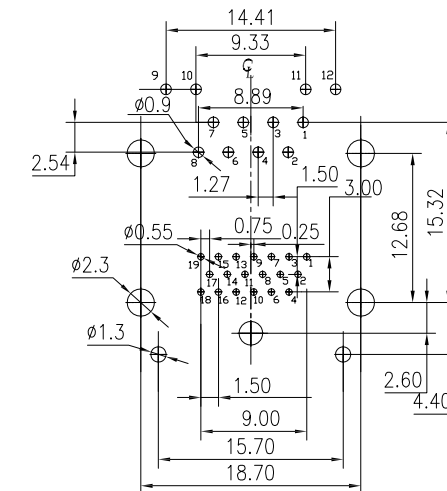
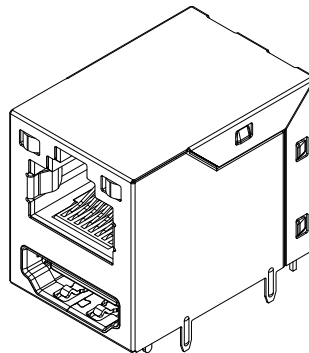
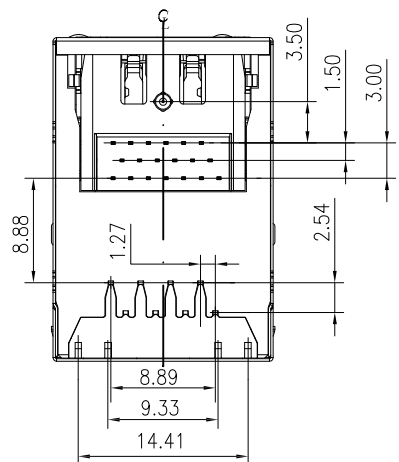
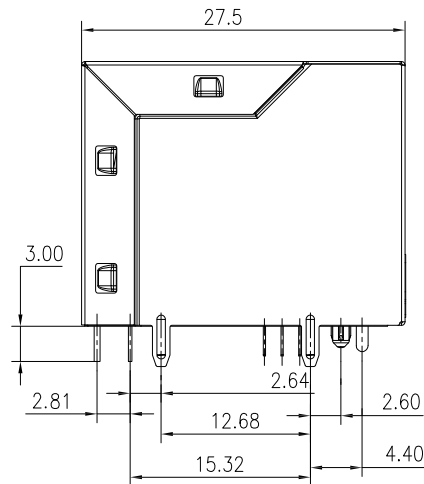
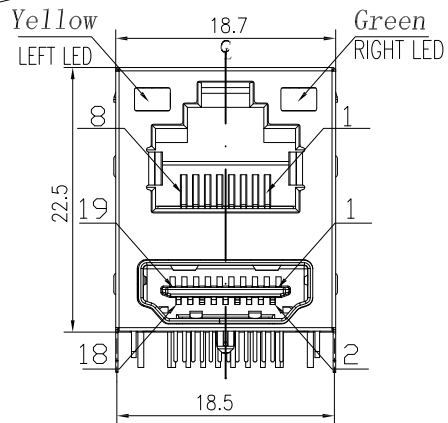


ROHS



RECOMMENDED P.C.B LAYOUT
TOP VIEW (COMPONENT SIDE)

REV.	NOTES	DATE
A	RELEASED	2020/12/20

NOTES:

ELECTRICAL:

- VOLTAGE RATING : 125 VAC RMS.
- CURRENT RATING : 1.5 AMP.
- CONTACT RESISTANCE : 30 MILLIOHMS MAX
- INSULATION RESISTANCE : 500 MEGOHMS MIN @ 500 NDC.
- DIELECTRIC STRENGTH : 1000 VAC RMS 50Hz or 60Hz, 1MIN.

MECHANICAL:

- HOUSING & INSERT MATERIAL : PBT UL94V-0.
- CONTACT MATERIAL : DIAMETER 0.45MM PHOSPHOR BRONZE GOLD PLATING OVER NICKEL.
- SHIELD : 0.20~0.25MM THICKNESS BRASS WITH NI PLATED.
- MATING/UNMATING FORCE : 2.2KG.F MAX.
- RETENTION STRENGTH : 7.7KG.F MIN BETWEEN JACK AND PLUG.
- OPERATING LIFE : 700 CYCLES MIN.

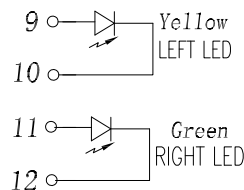
ENVIRONMENTAL:

- STORAGE : -45°C ~+80°C REATIVE HUMIDITY<70%
- OPERATION : -45°C ~+80°C

LED Specification

Standard LED Color	LED Wavelength	Forward (V MAX)	Typical (V TYP)	Luminous Intensity
Green	560-580 nm	2.5V	2.1-2.2V	9-25 MCD
Yellow	580-610 nm	2.5V	2.1-2.2V	9-30 MCD

- LED intensity/wavelength measured with Photo Research PR-650 Colormeter
- With a forward current of 20 mA, Absolute Maximum Ratings (Ta=25°C)



DIMENSIONS TOLERANCE METRIC	
X	:±0.5
X.X	:±0.38
X.XX	:±0.25
ANGLES	
X	:±1°
X.X	:±0.5°

單位(UNITS)	mm	東莞翊豐精密五金有限公司			
數量(QT'Y)	N/A	圖名(NAME)			
材料(MT'L)	SEE NOTE	RJ45+HDMI 双层 H22.50 G/F ROHS			
處理(FINISH)	SEE NOTE	料號(PART NUMBER)	AAOE+1100F-7038		
繪圖(DRAW)		圖號(DRAW NUMBER)			
設計(DE'N)		圖檔(FILE NAME .DWG)			
審校(CH'K)		比例(SCALE)	1/1	圖紙(SIZE)	A4
核准(APP'D)		頁次(SHEET)	1/2	版次(REV.)	A