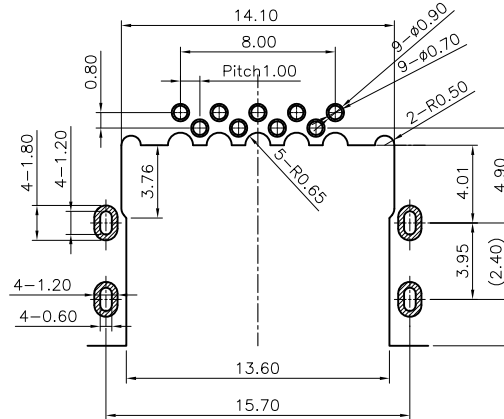
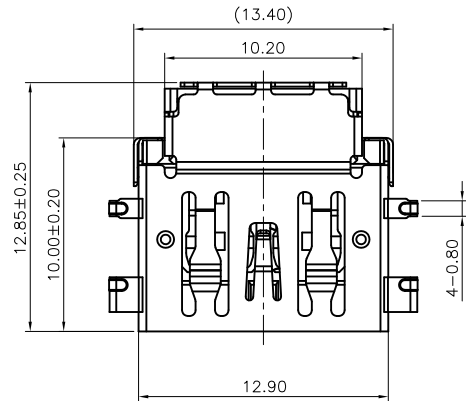


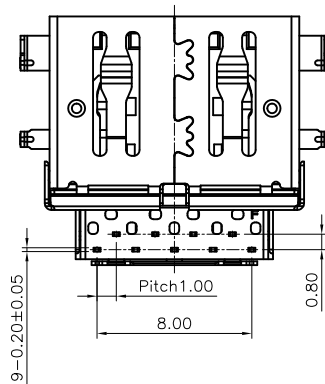
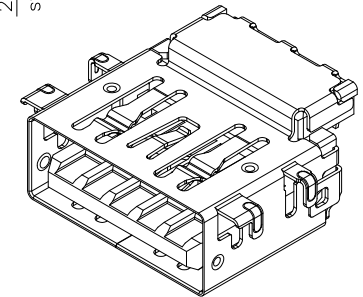
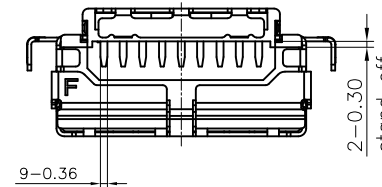
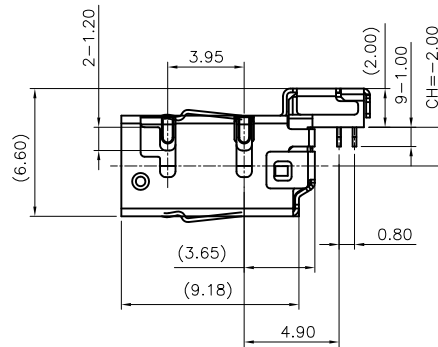
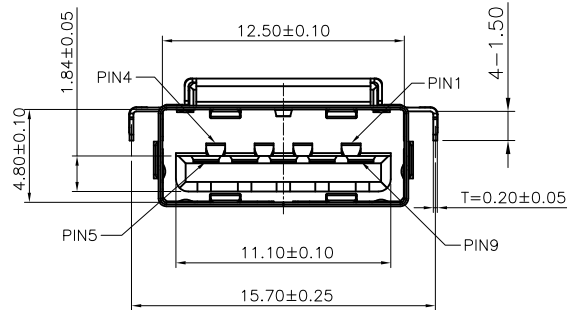
REV.	NOTES	DATE
01	RELEASED	2023/04/18



TOLERANCE: ±0.05,
RECOMMENDED PCB LAYOUT
(TOP VIEW)

NOTE:

- MATERIAL:**
INSULATOR: PA9T, UL 94 V-0; COLOR BLACK
4PIN&5PIN CONTACT: C5210(T=0.20mm)
SHELL: SUS304(T=0.20mm)
- PLATING:**
CONTACTS: GOLD(SEE TABLE) PLATED ON CONTACT AREA,
80u" MIN. MATTE-TIN ON SOLDER TALLS
50u" MIN. NICKEL UNDERPLATING OVER ALL
SHIELD: 50u" MIN. NICKEL UNDERPLATING OVER ALL
- ELECTRICAL CHARACTERISTICS:**
CURRENT RATING: 1.8A(PIN1, 4); OTHER CONTACTS 0.25A
VOLTAGE RATING: 30V DC/AC MAX.
CONTACT RESISTANCE: 30mΩ MAX. PIN1&PIN4
50mΩ MAX FOR OTHER CONTACTS.
DIELECTRIC WITHSTANDING VOLTAGE: 100V AC FOR 1 MINUTE.
INSULATION RESISTANCE: 100MΩ MIN.
- MECHANICAL CHARACTERISTICS:**
INSERTION FORCE: 3.5Kgf Max
EXTRACTION FORCE: Initial 1.0Kgf Min, After test 0.8Kgf Min
DURABILITY: 5000 CYCLES.
- OPERATING TEMPERATURES:** -20°C TO +85°C.
- STORAGE TEMPERATURE RANGE:** -45°C TO +60°C.
- RESISTANCE TO REFLOW SOLDERING HEAT:** 260°+0/-5', 10s.
- THE CONNECTOR IS RoHS COMPLIANT AND HALOGEN FREE**



Pin #	SIGNAL NAME
1	VBUS
2	D-
3	D+
4	GND
5	StdA_SSRX-
6	StdA_SSRX+
7	GND_DRAIN
8	StdA_SSTX-
9	StdA_SSTX+
Shell	Shield

DIMENSIONS
TOLERANCE
METRIC

X : ±0.5
X.X : ±0.38
X.XX : ±0.25

ANGLES
X : ±1'
X.X : ±0.5'

單位(UNITS)	mm
數量(QT'Y)	N/A
材料(MT'L)	SEE NOTE
處理(FINISH)	SEE NOTE
繪圖(DRAW)	
設計(DE'N)	
審校(CH'K)	
核准(APP'D)	

東莞翊豐精密五金有限公司

圖名(NAME)

USB3.0 沉板中心-2.0 DIP1.00

料號(PART NUMBER) AAUS+UB81B-9BA20

圖號(DRAW NUMBER)

圖檔(FILE NAME .DWG)

比例(SCALE)	1/1	圖紙(SIZE)	A4	頁次(SHEET)	1	版次(REV.)	01
-----------	-----	----------	----	-----------	---	----------	----