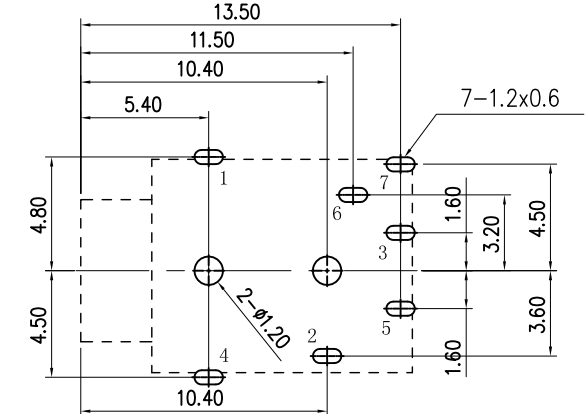
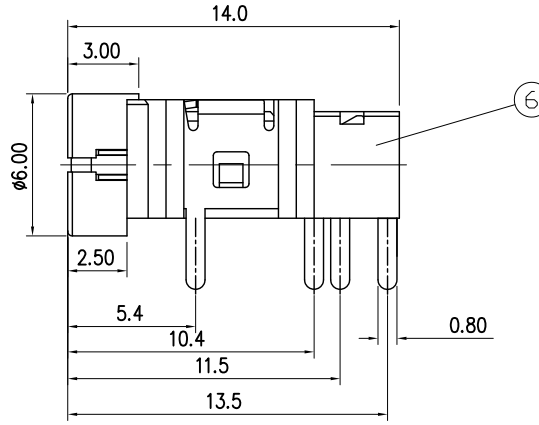
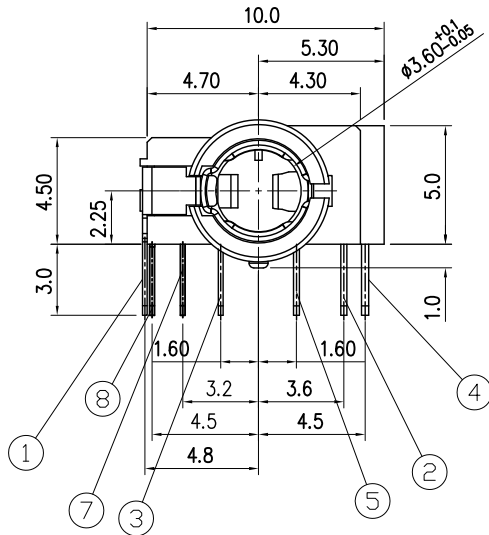
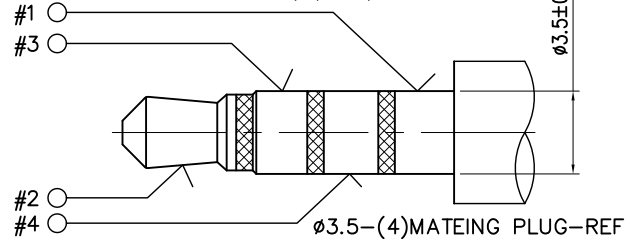


REV.	NOTES	DATE
A	RELEASED	2022/04/07
B	側视图增加端子脚位	2023/04/13

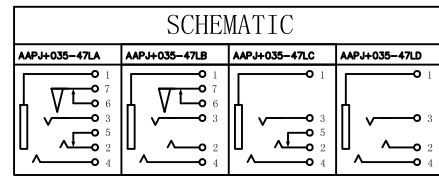


Recommend of PC Board Holes
Tolerance : ± 0.05 (Top view)



LEAD FREE

LTR	PART NAME	QTY	MATERIAL	REMARK
8	TRANSFER TERMINAL	1	C5210 t=0.20	MB: Ni Ag PLATED
7	BREAK TERMINAL	1	C2680 t=0.20	MB: Ni Ag PLATED
6	HOUSING	1	PA66	UL-94V0 Colour See Table"
5	SHUNT TERMINAL	1	C2680 t=0.25	MB: Ni Ag PLATED
4	RING SPRING	1	C5210 t=0.30	MB: Ni Ag PLATED
3	RING SPRING	1	C5210 t=0.20	MB: Ni Ag PLATED
2	TIP SPRING	1	C5210 t=0.25	MB: Ni Ag PLATED
1	EARTH SPRING	1	C5191 t=0.20	MB: Ni Au PLATED



PART NO	HOUSING COLOR
AAPJ+035-47LX01	GREEN
AAPJ+035-47LX03	BLUE
AAPJ+035-47LXB	BLACK

Notes:
 1. Electrical Characteristics:
 1-1. Rating : DC 30V 0.5 A ;
 1-2. Contact Resistance: 30mΩ Max. (Initial),
 Between plug and contact 100mΩ Max ;
 (Final) After Life test: $\leq 60m\Omega$;
 1-3. Dielectric Withstanding Voltage: 500V AC for One Minute ;
 1-4. Insulation Resistance: 100MΩ Min. Measured By 500 VDC;

2. Mechanical Characteristics:
 2-1. Plug Insertion Force 0.3~3.0Kgf (initial),
 0.3~3.0Kgf (Final) life test;
 2-2. Plug Extraction Force: 0.3~3.0Kgf (initial),
 0.3~3.0Kgf (Final) life test;

3. Durability Test: 5,000 Cycles min;
 4. Operating temperature: -25°C ~ +70°C;
 5. Soldering Heat Resistance Wave soldering 230°C ;
 6. Plug Interface Dimensions Conform To EIAJ RC-5325A Spec;
 7. Packaging: Tray;

DIMENSIONS TOLERANCE METRIC

X	:±0.5
X.X	:±0.38
X.XX	:±0.25
ANGLES	
X	:±1'
X.X	:±0.5'

單位(UNITS)	mm	東莞翊豐精密五金有限公司 圖名(NAME) Φ3.5 PHONE JACK 框口破圓 板上DIP 3.0 ROHS	
數量(QTY)	N/A		
材料(MTL)	SEE NOTE		
處理(FINISH)	SEE NOTE		
繪圖(DRAW)		料號(PART NUMBER)	AAPJ+035-47LXXX
設計(DE'N)		圖號(DRAW NUMBER)	
審校(CH'K)		圖檔(FILE NAME .DWG)	
核准(APP'D)		比例(SCALE)	1/1
		圖紙(SIZE)	A4
		頁次(SHEET)	1/2
		版次(REV.)	B