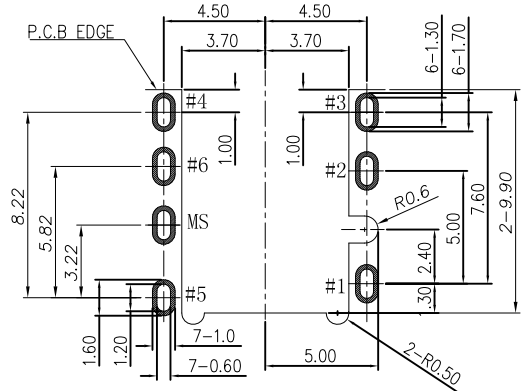
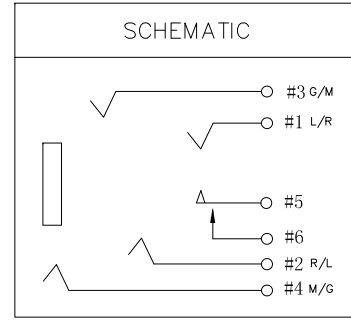
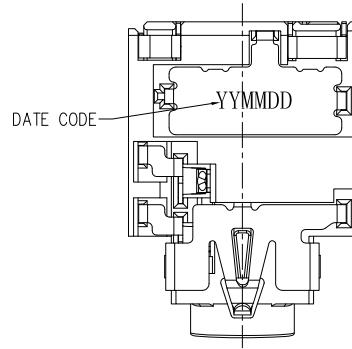
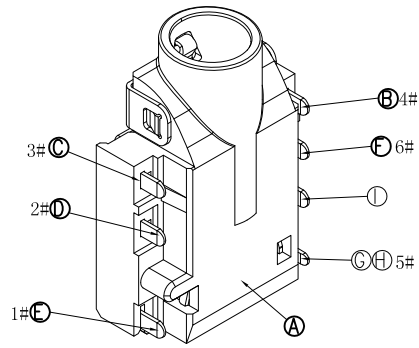


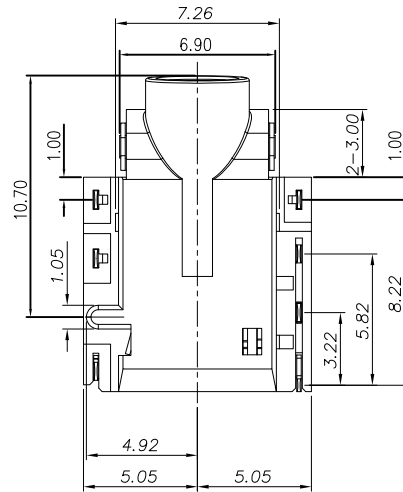
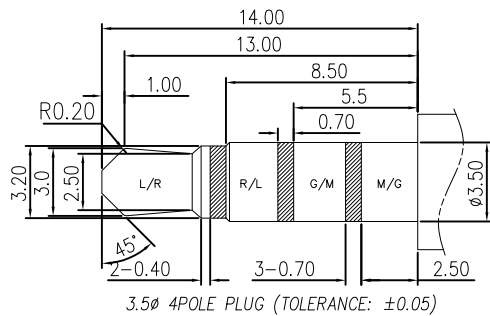
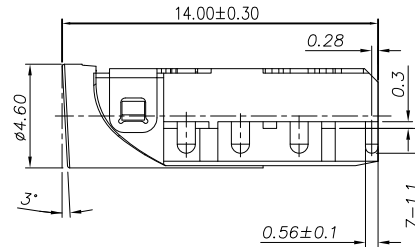
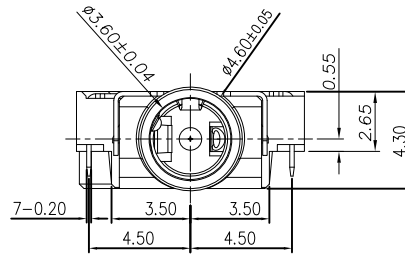
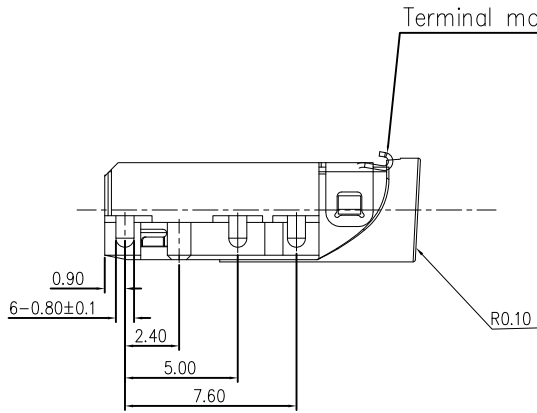
REV.	NOTES	DATE
A	RELEASED	2022/04/06



RECOMMEND PCB LAYOUT (TOP VIEW)
TOLERANCE: ±0.05

SPECIFICATIONS:

- ELECTRICAL CHARACTERISTICS:
 - 1-1. RATING: 12V 1A
 - 1-2. CONTACT RESISTANCE: 50mΩ MAX.(INITIAL),AFTER TEST:120mΩ MAX
 - 1-3. DIELECTRIC WITHSTANDING VOLTAGE: 500V AC FOR ONE MINUTE
 - 1-4. INSULATION RESISTANCE: 100MΩ MIN. MEASURED BY 500V DC
- MECHANICAL CHARACTERISTICS:
 - 2-1. INSERTION FORCE : 0.3~3Kg
 - 2-2. WITHDRAWAL FORCE : 0.3~3Kg
- LIFE TEST: 5,000 CYCLES MIN.
- FOR REFLOW SOLDERING LEAD-FREE PROCESS.



NO.	DESCRIPTION	QTY	MATERIAL	PLATING & COLOR
I	SHELL	1	COPPER ALLOY	Ni 30u" Min
H	SEPARATOR	1	HIGH TEMP THERMOPLASTIC UL 94V-0	BLACK
G	TRANSFER TERMINAL	1	COPPER ALLOY	G/F
F	MAKE TERMINAL	1	SUS301 0.2T	G/F
E	TIP SPRING	1	COPPER ALLOY	G/F
D	RING A	1	COPPER ALLOY	G/F
C	RING B	1	COPPER ALLOY	G/F
B	EARTH	1	COPPER ALLOY	G/F
A	BODY	1	HIGH TEMP THERMOPLASTIC UL 94V-0	BLACK

DIMENSIONS TOLERANCE METRIC

X : ±0.5
X.X : ±0.30
X.XX : ±0.20

ANGLES
X : ±1°
X.X : ±0.5°

單位(UNITS)	mm	東莞翊豐精密五金有限公司					
數量(QTY)	N/A						
材料(MTL)	SEE NOTE						
處理(FINISH)	SEE NOTE						
繪圖(DRAW)		圖名(NAME) 3.5φ PHONE JACK 斜口3度沉板中心0.55 无卤					
設計(DE'N)		料號(PART NUMBER)		AAPJ+3218+22L8G			
		圖號(DRAW NUMBER)					
審校(CH'K)		圖檔(FILE NAME .DWG)					
		比例(SCALE)	1/1	圖紙(SIZE)	A4	頁次(SHEET)	1