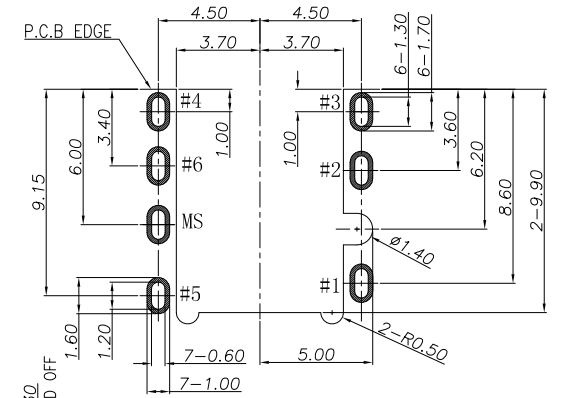
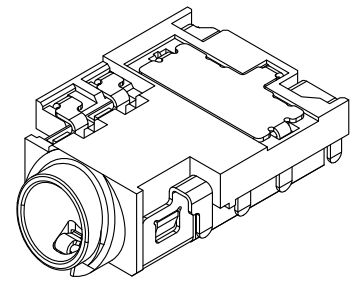
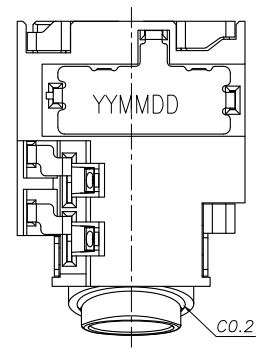


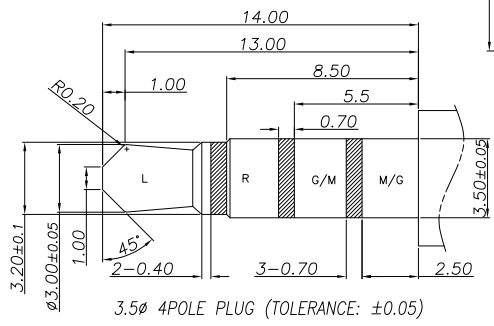
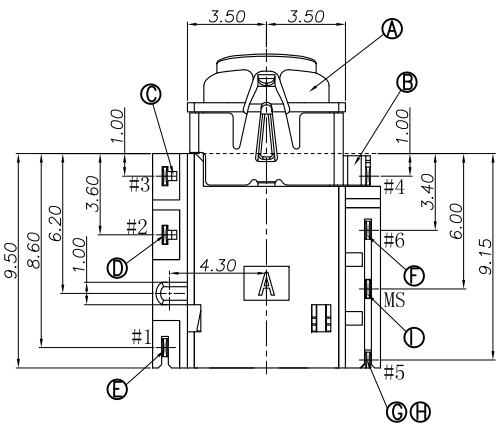
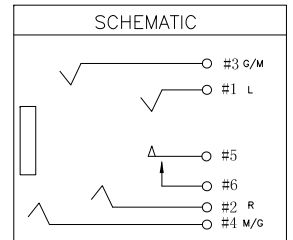
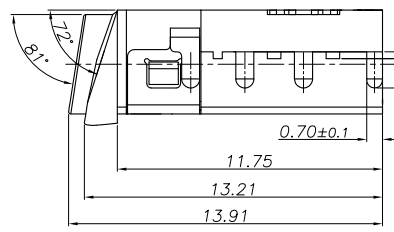
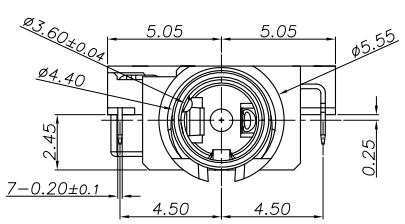
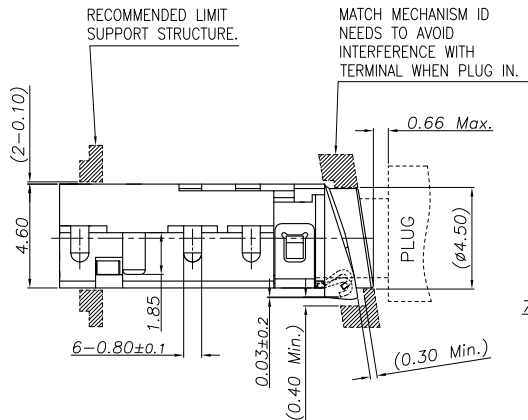
REV.	NOTES	DATE
A	RELEASED	2020/11/20



RECOMMEND PCB LAYOUT (TOP VIEW)
TOLERANCE:±0.05

SPECIFICATIONS:

- ELECTRICAL CHARACTERISTICS:
 - RATING: 12V 1A
 - CONTACT RESISTANCE: 50mΩ MAX.(INITIAL)
 - DIELECTRIC WITHSTANDING VOLTAGE: 500V AC FOR ONE MINUTE
 - INSULATION RESISTANCE: 100MΩ MIN. MEASURED BY 500V DC
- MECHANICAL CHARACTERISTICS:
 - INSERTION FORCE : 0.3~3Kgf
 - WITHDRAWAL FORCE : 0.4~3Kgf
- LIFE TEST: 5,000 CYCLES MIN.
AFTER LIFE TEST, CONTACT RESISTANCE: 100mΩ MAX
- FOR REFLOW SOLDERING LEAD-FREE PROCESS.



NO.	DESCRIPTION	QTY	MATERIAL	PLATING & COLOR
I	SHELL	1	SUS304 3/4H 0.2t=0.2	Ni 60u'' Min
H	SEPARATOR	1	PA10T UL94V-0	BLACK
G	TRANSFER TERMINAL	1	C5210-EH t=0.2	GOLD FLASH ON CONTACT AREA; GOLD FLASH ON SOLDER AREA; ALL OVER 30u'' Ni.
F	MAKE TERMINAL	1	C5210-EH t=0.2	
E	TIP SPRING	1	C5210-EH t=0.2	
D	RING B	1	C5210-EH t=0.2	
C	RING A	1	C5210-EH t=0.2	
B	EARTH	1	C5210-EH t=0.2	
A	BODY	1	PA10T UL94V-0	BLACK

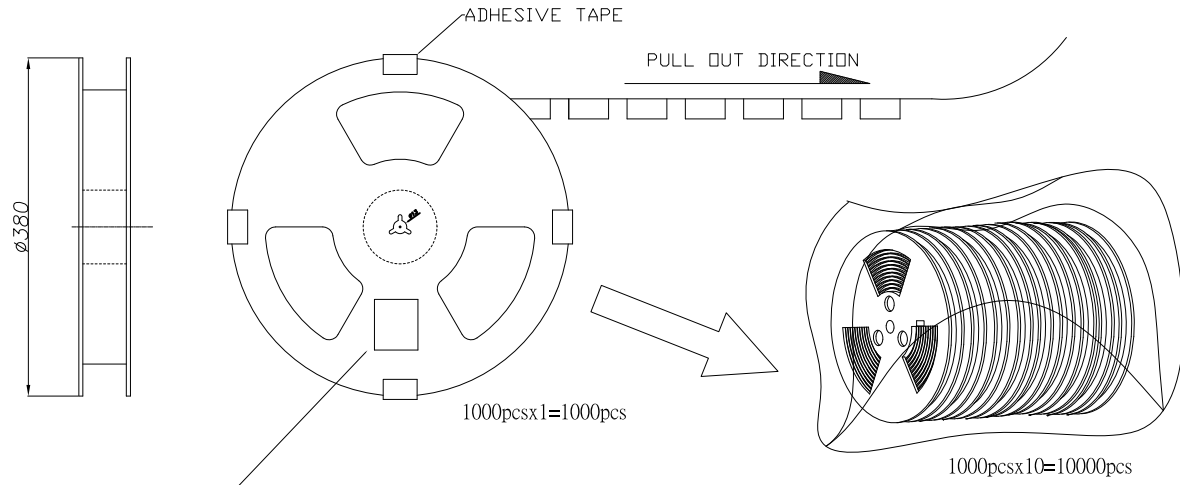
DIMENSIONS TOLERANCE METRIC

X : ±0.5
X.X : ±0.30
X.XX : ±0.20

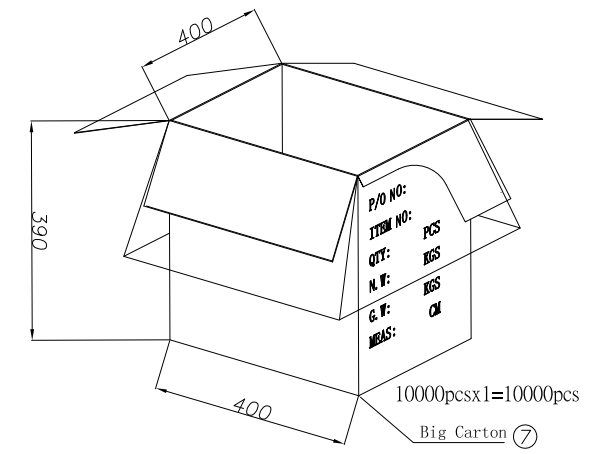
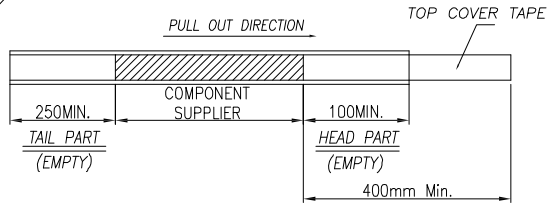
ANGLES
X : ±1°
X.X : ±0.5°

單位(UNITS)	mm	東莞翊豐精密五金有限公司			
數量(QT'Y)	N/A				
材料(MT'L)	SEE NOTE				
處理(FINISH)	SEE NOTE				
繪圖(DRAW)		圖名(NAME) 3.5φ PHONE JACK 沉板中心0.25 无齒			
設計(DE'N)		料號(PART NUMBER)	AAPJ+3264+L6GHF		
審校(CH'K)		圖號(DRAW NUMBER)			
核淮(APP'D)		圖檔(FILE NAME .DWG)			
		比例(SCALE)	1/1	圖紙(SIZE)	A4
		頁次(SHEET)	1	版次(REV.)	A

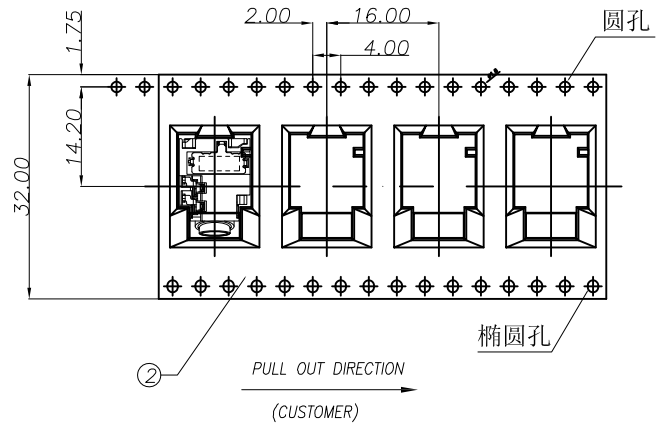
REV.	NOTES	DATE
A	RELEASED	2020/11/20



标签贴椭圆孔面



包装数量:
1000pcs/REEL
10REEL (10000PCS) /CARTON



DIMENSIONS TOLERANCE METRIC	
X	:±0.5
X.X	:±0.30
X.XX	:±0.20
ANGLES	
X	:±1°
X.X	:±0.5°

單位(UNITS)	mm	東莞翊豐精密五金有限公司					
數量(QTY)	N/A						
材料(MT'L)	SEE NOTE						
處理(FINISH)	SEE NOTE						
繪圖(DRAW)		圖名(NAME) 3.5φ PHONE JACK 沉板中心0.25 无卤					
設計(DE'N)		料號(PART NUMBER)			AAPJ+3264+L6GHF		
		圖號(DRAW NUMBER)					
審校(CH'K)		圖檔(FILE NAME .DWG)					
		比例(SCALE)	1/1	圖紙(SIZE)	A4	頁次(SHEET)	2/2
核准(APP'D)							