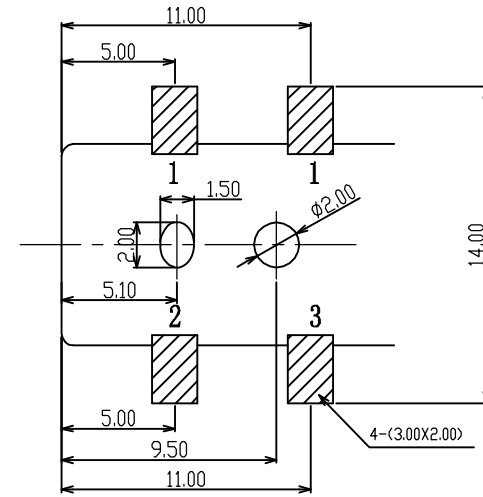
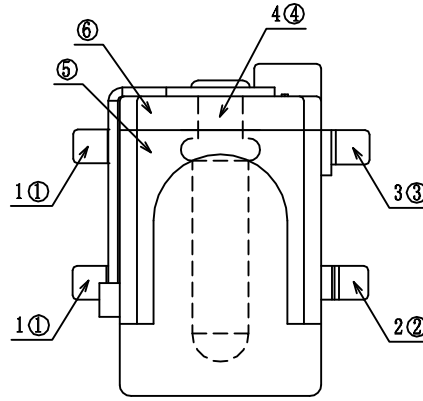
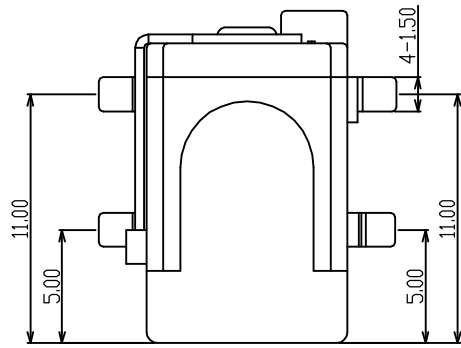
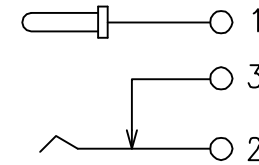
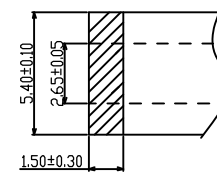
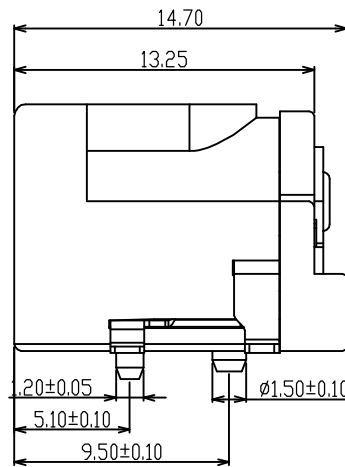
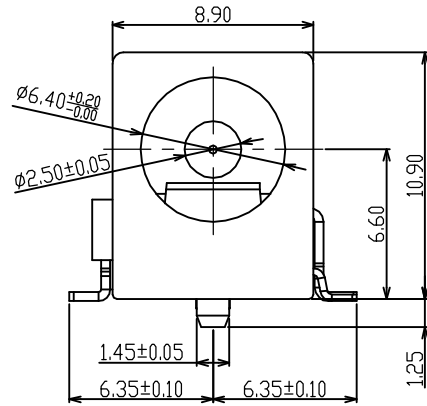


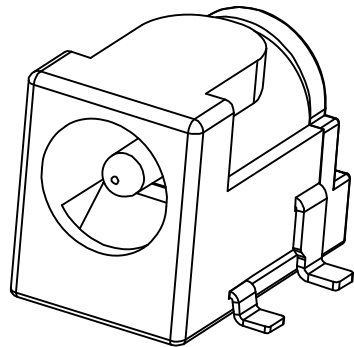
REV.	NOTES	DATE
A	RELEASED	2016/09/12



PCB LAYOUT TOP VIEW



CIRCUIT DIAGRAM



⑥	COVER P	1	PA9T (Black)	
⑤	HOUSING	1	PA9T (Black)	
④	中心PIN	1	H59	Ni OVERALL 80u" MIN
③	TERMINAL_3#	1	BRASS t=0.4	NI OVERALL 80u" MIN, Ag 15u" MIN
②	TERMINAL_2#	1	PHOSPHOR BRONZE t=0.3	NI OVERALL 80u" MIN, Ag 15u" MIN
①	TERMINAL_1#	1	BRASS t=0.4	NI OVERALL 80u" MIN, Ag 15u" MIN

No.	PART NAME	QTY	MATERIAL (THICK, COLOR)	REMARK
單位(UNITS)		mm		
數量(QTY)		N/A		
材料(MT'L)		SEE NOTE		
處理(FINISH)		SEE NOTE		

東莞翊豐精密五金有限公司

圖名(NAME)
DC POWER JACK

繪圖(DRAW)		
設計(DE'N)	料號(PART NUMBER)	AAPJ+0520-25L6S
審校(CH'K)	圖號(DRAW NUMBER)	
核准(APP'D)	圖檔(FILE NAME .DWG)	
比例(SCALE)	1/1	圖紙(SIZE) A4
	頁次(SHEET) 1	版次(REV.) A

DIMENSIONS TOLERANCE METRIC
 .0= ±.38
 .00= ±.25
 .000= ±.15
 .0000= ±.
 ANG.= ± 2°

