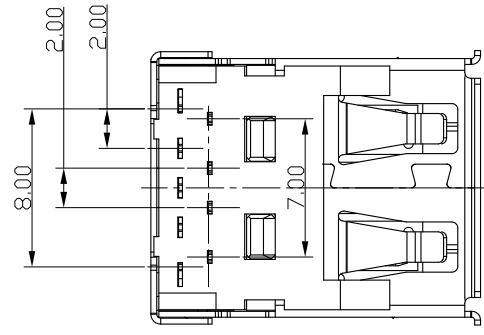
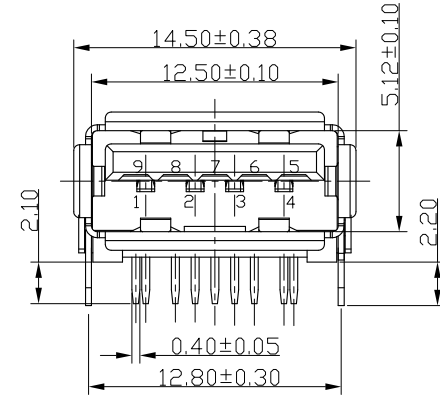
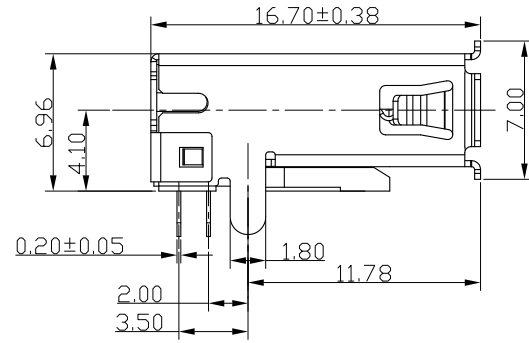
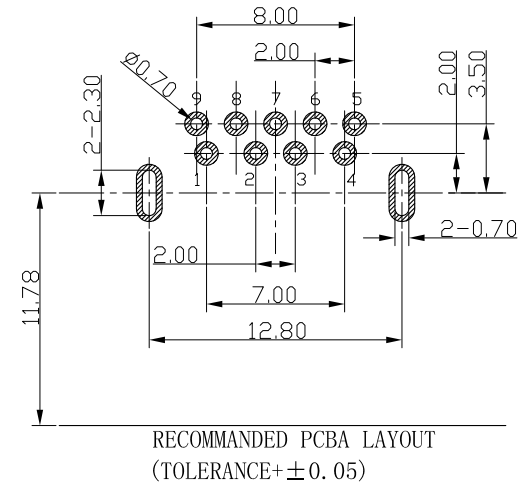
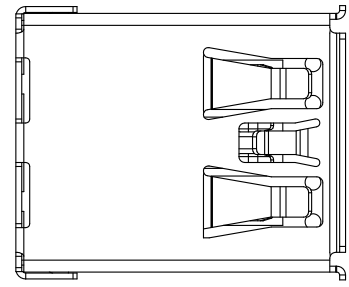


| | | |
|------|----------|------------|
| REV. | NOTES | DATE |
| A | RELEASED | 2022/03/17 |

| Pin NUMBER | SIGNAL NAME |
|------------|-------------|
| 1 | VBUS |
| 2 | D- |
| 3 | D+ |
| 4 | GND |
| 5 | StdA_SSRX- |
| 6 | StdA_SSRX+ |
| 7 | GND_DRAIN |
| 8 | StdA_SSTX- |
| 9 | StdA_SSTX+ |
| Shell | Shield |



- NOTE:
- ELECTRICAL CHARACTERISTICS:
 - CONTACT RESISTANCE: 30mΩ MAXIMUM
 - CONTACT CURRENT RATING: 3A
 - DIELECTRIC WITHSTANDING VOLTAGE: 100 V AC R. M. S.
 - INSULATION RESISTANCE 100 MEGOHMS MIN
 - OPERATING TEMPERATURE: -45° C ~ +85° C
 - MECHANICAL CHARACTERISTICS:
 - MATING FORCE: 3.57kgf MAX
 - UNMATED FORCE: 0.82kgf MIN AFTER TEST
 - DURABILITY MANDATORY: 5,000 CYCLES

| 05 | FLAT CONTACT | 5 | C2680/Au 0.6U" PLATED |
|------|----------------|------|--------------------------------------|
| 04 | SPRING CONTACT | 4 | C5191/Au0.6U" PLATED |
| 03 | COVER | 1 | PA9T&LCP/UL94 V-0 RATED HALOGEN-FREE |
| 02 | HOUSING | 1 | PA9T&LCP/UL94 V-0 RATED HALOGEN-FREE |
| 01 | SHELL | 1 | SUS201/T=0.3±0.02mm |
| ITEM | DESCRIPTION | Q'TY | MATERIAL/FINISH |

| | | | | | | | |
|------------|----------|---|-----|-----------------|----|-----------|-----|
| 單位(UNITS) | mm | 東莞翊豐精密五金有限公司 | | | | | |
| 數量(QTY) | N/A | | | | | | |
| 材料(MTL) | SEE NOTE | | | | | | |
| 處理(FINISH) | SEE NOTE | | | | | | |
| 繪圖(DRAW) | | 圖名(NAME) USB 3.0 AF 板上SMT型直腳長體L=16.70 ROHS | | | | | |
| 設計(DE'N) | | 料號(PART NUMBER) | | AAUS+A11F1-1001 | | | |
| | | 圖號(DRAW NUMBER) | | | | | |
| 審校(CH'K) | | 圖檔(FILE NAME .DWG) | | | | | |
| | | 比例(SCALE) | 1:1 | 圖紙(SIZE) | A4 | 頁次(SHEET) | 1/2 |
| 核准(APP'D) | | | | | | | |

| DIMENSIONS TOLERANCE METRIC | |
|-----------------------------|--------|
| X | :±0.5 |
| X.X | :±0.30 |
| X.XX | :±0.25 |
| ANGLES | |
| X | :±1° |
| X.X | :±0.5° |