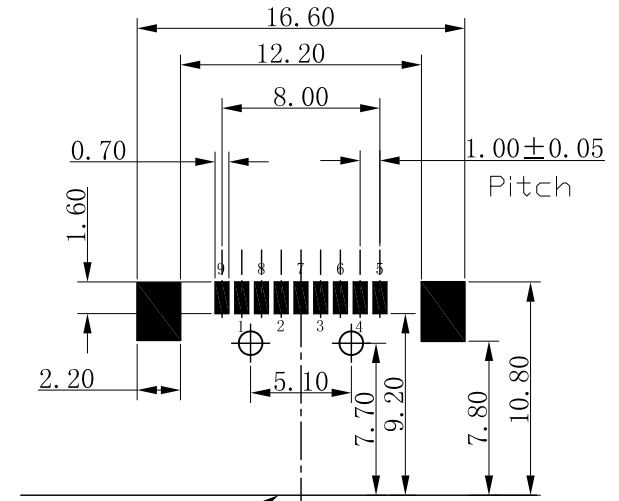
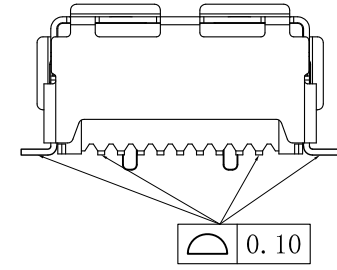
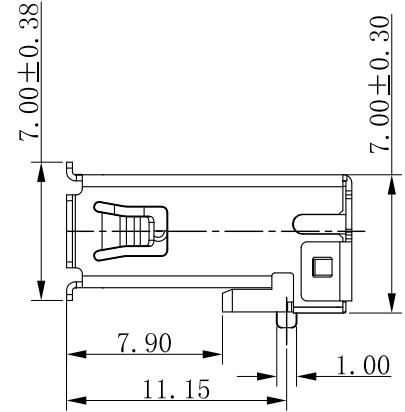
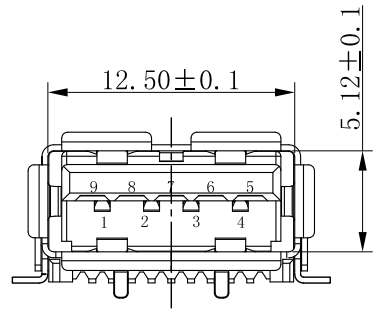
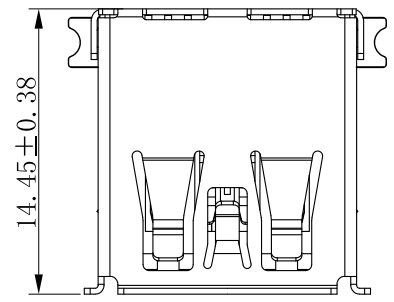
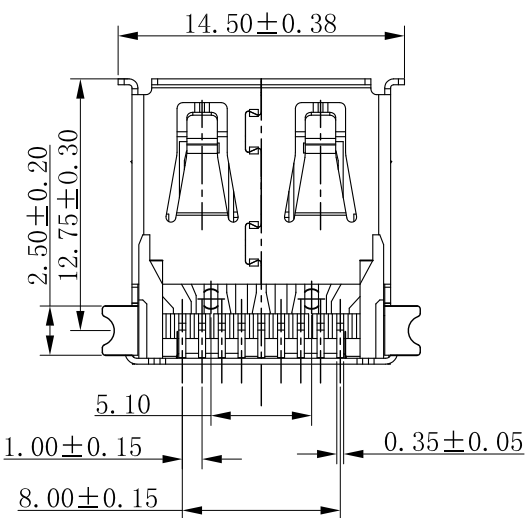


REV.	NOTES	DATE
A	RELEASED	2021/05/04



PCB EDGE  
RECOMMENDED PCB LAYOUT



- NOTE:
- MATERIAL:
    - INSULATOR:LCP+30%GF UL 94V-0 BLUE 300C
    - CONTACT:C2680
    - SHELL:BRASS
  - ELECTRICAL CHARACTERISTICS:
    - CONTACT RESISTANCE:30mΩ MAXIMUM
    - CONTACT CURRENT RATING:1.5A
    - DIELECTRIC WITHSTANDING VOLTAGE:500 V AC R.M.S.
    - INSULATION RESISTANCE 1000 MEGOHMS MIN
    - OPERATING TEMPERATURE:-45° C ~ +85° C
  - MECHANICAL CHARACTERISTICS:
    - MATING FORCE:3.57kgf MAX
    - UNMATED FORCE:0.82kgf MIN AFTER TEST
    - DURABILITY MANDATORY:1500 CYCLES
  - PLATING
    - TERMINAL:
      - 30u" MIN NICKEL ALL OVER
      - 50u" MIN Tin ON SOLDER AREA
      - 0.6u" MIN Au ON CONTACT AREA
    - SHELL:30u" MIN. NICEL ALL OVER

Pin NUMBER	SIGNAL NAME
1	VBUS
2	D-
3	D+
4	GND
5	StdA_SSRX-
6	StdA_SSRX+
7	GND_DRAIN
8	StdA_SSTX-
9	StdA_SSTX+
Shell	Shield

DIMENSIONS TOLERANCE METRIC	
X	: ±0.5
X.X	: ±0.30
X.XX	: ±0.20
ANGLES	
X	: ±1°
X.X	: ±0.5°

單位(UNITS)	mm
數量(QTY)	N/A
材料(MTL)	SEE NOTE
處理(FINISH)	SEE NOTE
繪圖(DRAW)	
設計(DE'N)	
審校(CH'K)	
核准(APP'D)	

<b>東莞翊豐精密五金有限公司</b>			
圖名(NAME)			
USB3.0 AF 短體SMT全貼 有卷邊短腳 無齒			
料號(PART NUMBER)		AAUS+A11F+1340	
圖號(DRAW NUMBER)			
圖檔(FILE NAME .DWG)			
比例(SCALE)	1:1	圖紙(SIZE)	A4
頁次(SHEET)	1/2	版次(REV.)	A