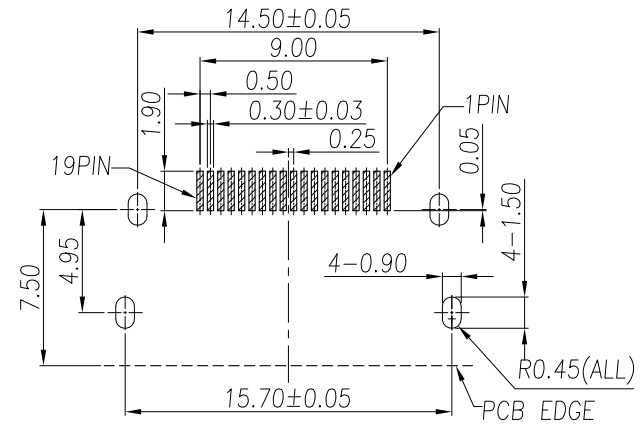
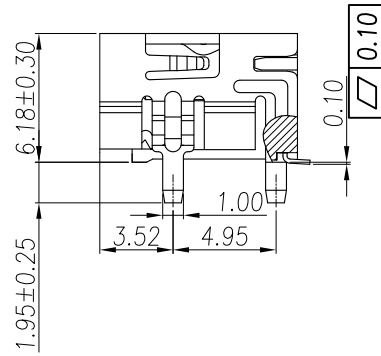
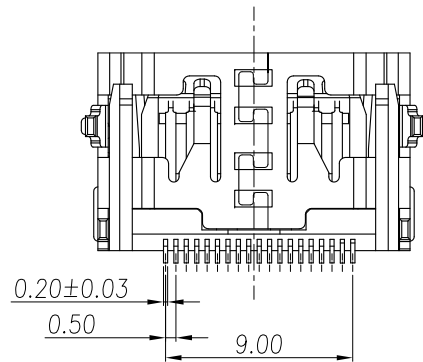
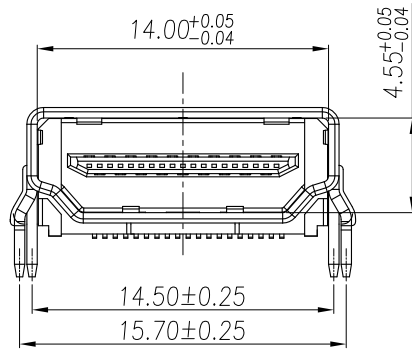
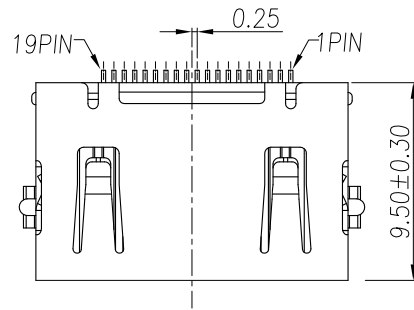


REV.	NOTES	DATE
A	RELEASED	2021/05/06



RECOMMENDED PCB LAYOUT (T:1.60mm)  
TOLERANCE UNSPECIFIED ±0.10mm

NOTES:

1.) MATERIAL:

- 1-1. HOUSING:LCP,UL 94V-0,COLOR:BLACK;
- 1-2. CONTACT:C2680 T=0.20mm;
- 1-3. SHELL:C2680 T=0.50mm

- 2-1. CONTACT: CONTACT: 0.6u" MIN Gold Over 30u" MIN Ni.
- 2-2. SHELL: 30u" Nickel plated over all.

3.) SPECIFICATIONS:

- 3-1. VOLTAGE RATING: 40V
- 3-2. CURRENT RATING: 0.5A
- 3-3. INSULATION RESISTANCE: 100M MIN
- 3-4. CONTACT RESISTANCE: 30m Ω MAX
- 3-5. OPERATION TEMPERATURE: -20<sup>°</sup> TO +85<sup>°</sup>
- 3-6. INSERT FORCE:4.0kgf MAX
- 3-7. EXTRACT FORCE:1.0kgf~4.0kgf
- 3-8. DURABILITY: 5000 CYCLES

單位(UNITS)	mm
數量(QTY)	N/A
材料(MTL)	SEE NOTE
處理(FINISH)	SEE NOTE

東莞翊豐精密五金有限公司

繪圖(DRAW)	圖名(NAME)			
設計(DESIGN)	HDMI 19P/F SMT G/F全金LCP黑色銅殼 无LOGO ROHS			
審核(CHECK)	料號(PART NUMBER)		AAUS+19613-0197R	
	圖號(DRAW NUMBER)			
核准(APPROVED)	圖檔(FILE NAME .DWG)			
	比例(SCALE)	1:1	圖紙(SIZE)	A4
		頁次(SHEET)	1/2	版次(REV.)
				A

DIMENSIONS TOLERANCE METRIC	
X	±0.38
XX	±0.30
XXX	±0.25
X.XXX	±0.15
ANGLES	
X	±1'
XX	±0.5'