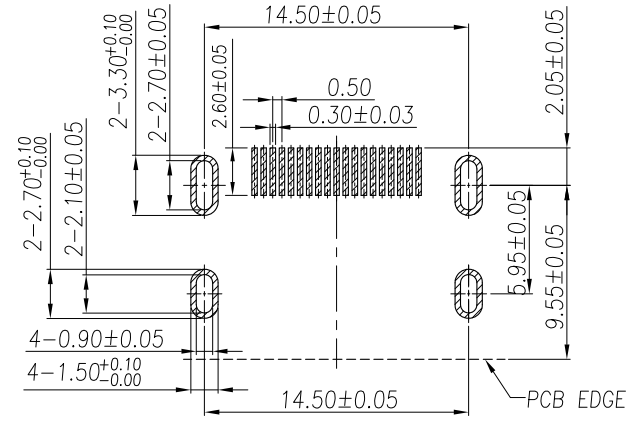
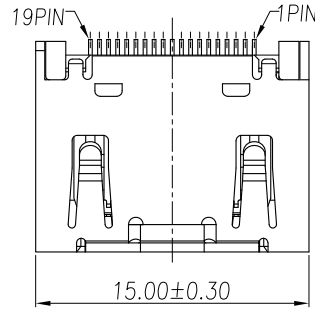
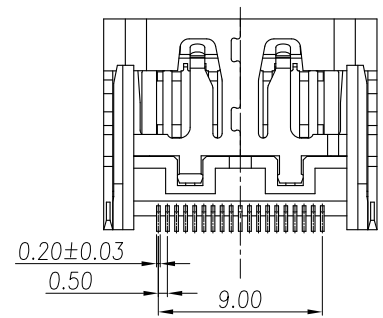
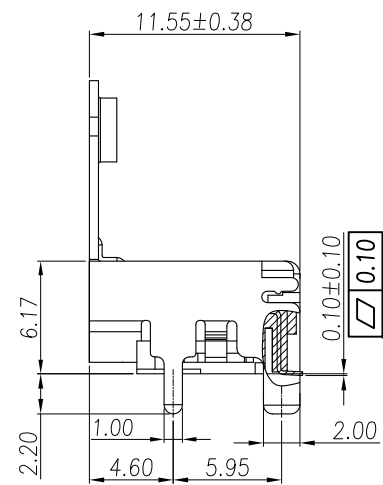
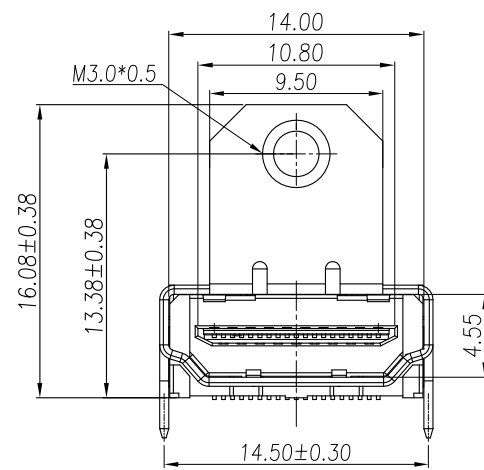


| REV. | NOTES         | DATE       |
|------|---------------|------------|
| A    | RELEASED      | 2021/04/12 |
| B    | 修改包装收料方向与实物一至 | 2022/03/24 |



RECOMMENDED PCB LAYOUT (T:1.60mm)  
TOLERANCE UNSPECIFIED ±0.10mm

- NOTES:
- MATERIAL:
    - Housing:thermoplastic plastics LCP BLACK
    - terminals:Copper Alloy  
G/F plated in contact area:  
Tin plated in termination  
Nickel Plated overall
    - Shell:Copper Alloy  
Nickel/Au Plated overall
  - ELECTRICAL CHARACTERISTICS:
    - Rating Current :0.5 Ampere
    - Rating Voltage :40 V Max
    - Contact Resistance:30 Milli ohms
    - Insulation Resistance:100 Mega ohms Min.
  - MECHANICAL CHARACTERISTICS:
    - Connector Mating force: 4.5kg MAX
    - Connector Unmating force:1.0Kg min
    - Durability:10000Cycles.
  - ENVIRONMENT CHARACTERISTICS:
    - Operating temperature:-20°C to +85°C
    - Storage temperature:-20°C to +65°C



DIMENSIONS TOLERANCE METRIC

X :±0.5  
X.X :±0.38  
X.XX :±0.25

ANGLES  
X :±1°  
X.X :±0.5°

|            |          |   |     |                  |    |           |     |
|------------|----------|---|-----|------------------|----|-----------|-----|
| 單位(UNITS)  | mm       | 東莞翊豐精密五金有限公司                                |     |                  |    |           |     |
| 數量(QT'Y)   | N/A      |   |     |                  |    |           |     |
| 材料(MT'L)   | SEE NOTE |   |     |                  |    |           |     |
| 處理(FINISH) | SEE NOTE |   |     |                  |    |           |     |
| 繪圖(DRAW)   |          | 圖名(NAME)<br>HDMI 19P/F SMT 单耳13.38 G/F ROHS |     |                  |    |           |     |
| 設計(DE'N)   |          | 料號(PART NUMBER)                             |     | AAUS+19613-S197R |    |           |     |
|            |          | 圖號(DRAW NUMBER)                             |     |                  |    |           |     |
| 審校(CH'K)   |          | 圖檔(FILE NAME .DWG)                          |     |                  |    |           |     |
|            |          | 比例(SCALE)                                   | 1/1 | 圖紙(SIZE)         | A4 | 頁次(SHEET) | 1/2 |
| 核准(APP'D)  |          |   |     |                  |    |           |     |