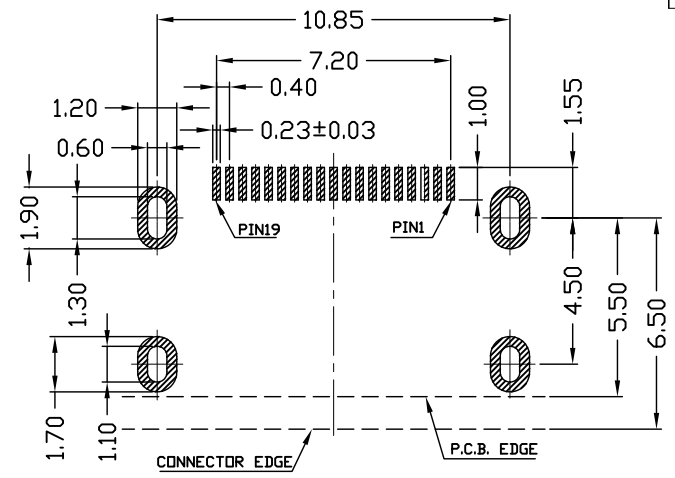
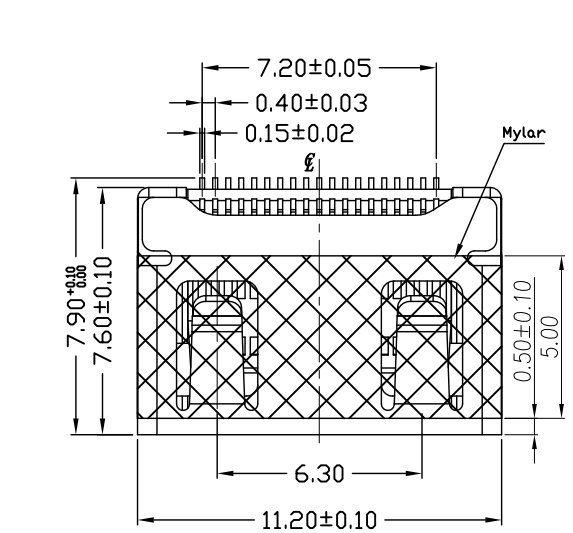
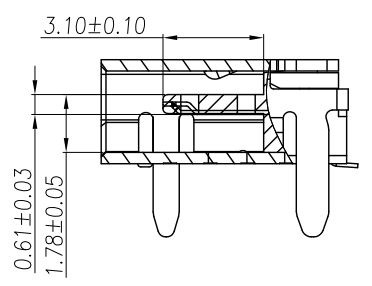
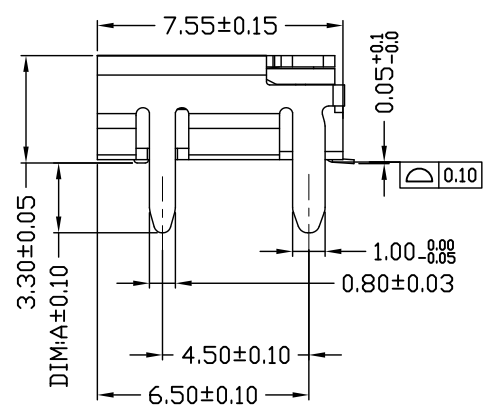
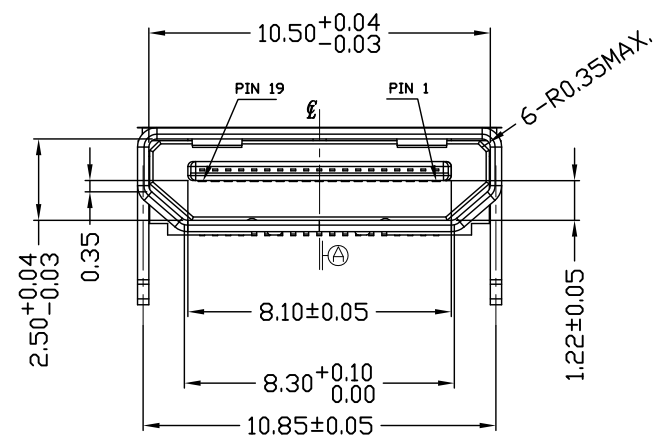


REV.	NOTES	DATE
A	RELEASED	2019/07/07



RECOMMENDED P.C.B LAYOUT(PCB TOL:±0.16mm)
COMPONENT SIDE VIEW(TOLERANCE:±0.05mm)



emark:

- 1) material:
 - 1-1 ontology :LCP 94v-0 black
 - 1-2 terminals: phosphor-copper T=0.12mm
 - 1-3 copper shell: T=0.35mm
- 2) plating:
 - 2-1 terminals: nickel-plated on all surfaces, gold-plated contacts, solder foot spray "
- 3) technical specifications
 - 3-1. Rated voltage :40V
 - 3-2. Rated current :0.5A
 - 3-3. Insulation resistance :100 megohm minimum
 - 3-4. Contact resistance :10 mm Max
 - Operating temperature :-20 ° c to 85 ° c
 - Inserting and pulling force :8~25N;
 - 3-8. Endurance :5000 cycles

Table: Dimensions"A"

AAUS+HD19P-19334	1.30mm
AAUS+HD19P-19333	2.15mm
PART No.	A

單位(UNITS)		東莞翊豐精密五金有限公司			
數量(QTY)	N/A	圖名(NAME)			
材料(MTL)	SEE NOTE	HDMI C TYPE 板上高3.30 外殼DIP 端子SMT			
處理(FINISH)	SEE NOTE	料號(PART NUMBER)		AAUS+HD19P-1933X	
繪圖(DRAW)		圖號(DRAW NUMBER)			
設計(DESIGN)		圖檔(FILE NAME .DWG)			
審校(CHECK)		比例(SCALE)	1:1	圖紙(SIZE)	A4
核准(APPROVED)		頁次(SHEET)	1/2	版次(REV.)	A

DIMENSIONS TOLERANCE METRIC

X	:±0.3
XX	:±0.20
XXX	:±0.10
X.XXX	:±0.05
ANGLES	
X	:±1'
XX	:±0.5'