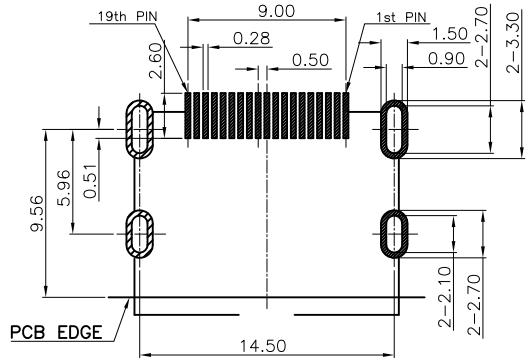
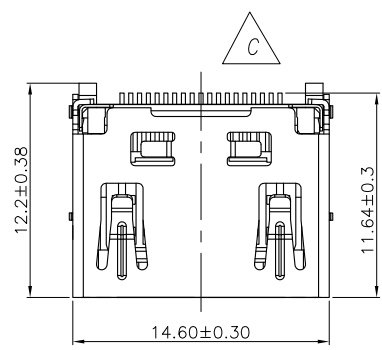


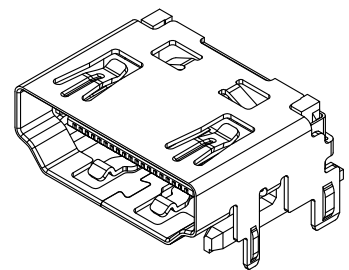
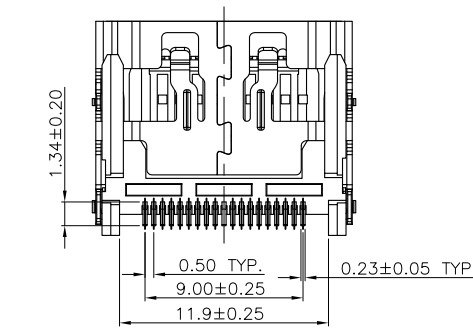
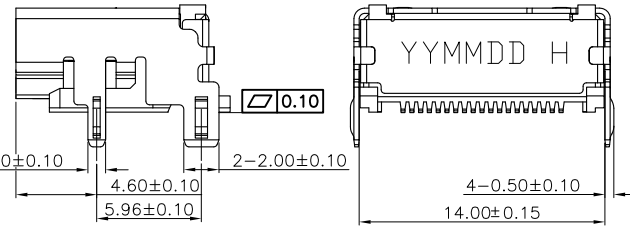
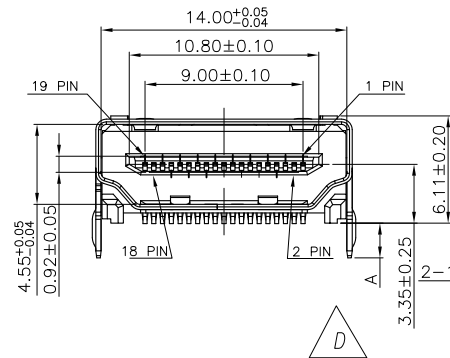
REV.	NOTES	DATE
A	RELEASED	2019/05/06
B	因寿命无法达到要求现改用不锈钢材质外壳	2020/08/11
C	优化产品外壳搭配, 修改外观	2020/10/16
D	依客户要求增加外壳脚长度列表	2021/03/16

NOTE:

- Material
  - Terminal: C2680 T=0.20
  - Housing: LCP+30%G/F., UL94V-0 Black
  - EMI SHIELD: SUS304 T=0.15
  - Shell: SUS304 T=0.30
- Plating
  - Terminal: Gold In Contact Area  
50u" MIN. Matte Sn Plate In Solder Area.  
Over 30u" MIN. Ni.
  - Shell: 50u" Nickel plated over all.
- Electrical
  - Current rating: 0.5A
  - Rated Voltage: 40V MAX
  - TEMPERATURE: -40°C TO +85°C
  - Contact Resistance: 30mΩ
  - Insulation Resistance: 100MΩ MIN
  - Dielectric Withstanding Voltage: apply 500VDC for 1 minute between adjacent terminal or ground.
  - Insertion Force: 45N MAX  
Withdrawal Force: 10N MIN
  - Durability: 10000 cycles ;



RECOMMEND PCB LAYOUT  
TOLERANCE: ±0.05  
TOP VIEW



YYMMDD H  
DD: DAY  
MM: MONTH  
YY: YEAR

PART NO.	DIM(A)
AAUS+A04P+XN033D	1.98±0.25
AAUS+A04P+XN034D	1.10±0.10

PART NO.	TERMINAL PLATING
AAUS+A04P+0N03XD	30u" MIN NICKEL ALL OVER; 50u" MIN Tin ON SOLDER AREA 0.6u" MIN Au ON CONTACT AREA
AAUS+A04P+6N03XD	30u" MIN NICKEL ALL OVER; 50u" MIN Tin ON SOLDER AREA 30u" MIN Au ON CONTACT AREA

NO.	PART NAME	MATERIAL	DESCRIPTION
4	後殼	SUS304	N/A
3	外壳	SUS304	50u" Min. Ni PLATED
2	端子	C2680	SEE PART NO
1	塑胶	LCP+30% G F	BLACK UL94V-0

單位(UNIT)	東莞翊豐精密五金有限公司			
數量(QTY)	N/A			
材料(MTL)	SEE NOTE			
處理(FINISH)	SEE NOTE			
繪圖(DRAW)	圖名(NAME) HDMI A 2.1 TYPE FEMALE 无齒			
設計(DESIGN)	料號(PART NUMBER)	AAUS+A04P+XN03XD		
審校(CHECK)	圖號(DRAW NUMBER)			
核准(APPROVE)	圖檔(FILE NAME)	.DWG		
	比例(SCALE)	1/1	圖紙(SIZE)	A4
			頁次(SHEET)	1/2
			版次(REV.)	D

DIMENSIONS TOLERANCE METRIC	
X	±0.3
X.X	±0.2
X.XX	±0.1
X.XXX	±0.05
ANGLES	
X	±1°
X.X	±0.5°