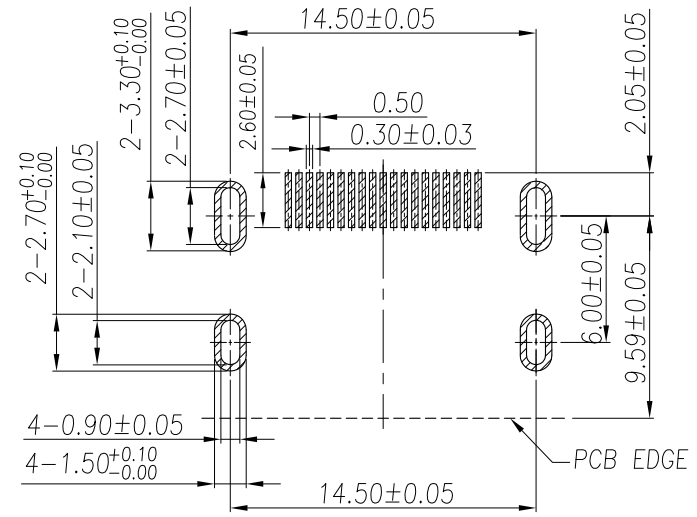
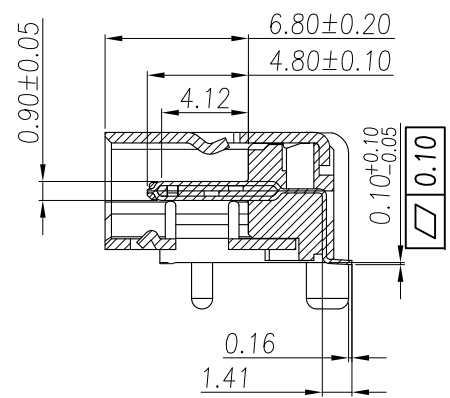
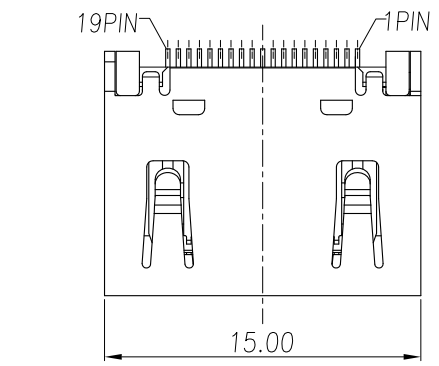
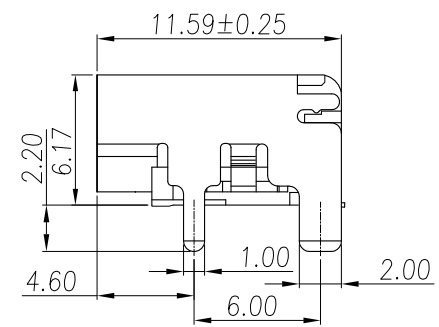
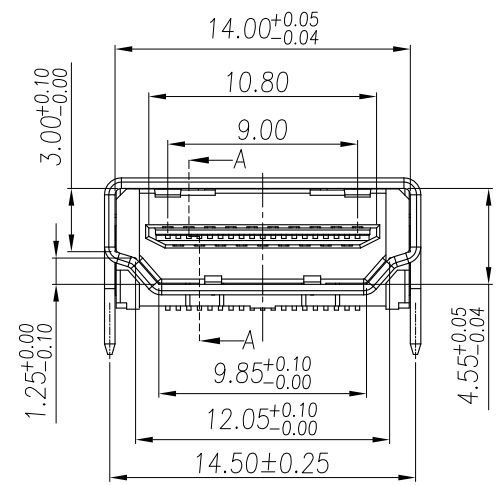


REV.	NOTES	DATE
A	RELEASED	2017/10/12

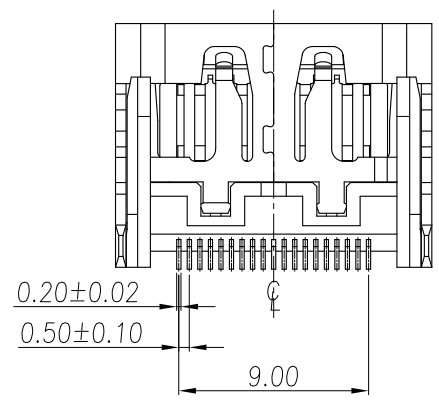


RECOMMENDED PCB LAYOUT (T:1.60mm)
TOLERANCE UNSPECIFIED ±0.10mm



- NOTE:
- MATERIAL:
 - Insulator:LCP(UL94V-0) BLACK
 - Contact: Brass
 - Shell : SPCC
 - Contact Plating:1u"MIN. GOLD PLATING ON CONTACT POINT. 100u"MIN.TIN PLATING ON SOLDER TAILS. 50u"MIN.NICKEL UNDERPLATING OVERALL.
 - Shell:50u"Nickel plated over all

- 2.SPECIFICATION:
- Current Rate:0.5Amp 40V
 - insulator Resistance:100MΩ Min
 - Dielectric Strength: 500V AC Per minute
 - Contact Resistance: 30mΩ Max
 - Operation Temperature:-20°C~+85°C



DIMENSIONS TOLERANCE
METRIC
.0=±0.30
.00=±0.25
.000=±0.15
ANG.=±2°

單位(UNITS)	mm
數量(QTY)	N/A
材料(MT'L)	SEE NOTE
處理(FINISH)	SEE NOTE

東莞翊豐精密五金有限公司

圖名(NAME)	HDMI 19PIN母SMT 半金 1u"無耳無彈				
料號(PART NUMBER)	AAUS+A04P+S127R				
圖號(DRAW NUMBER)					
圖檔(FILE NAME .DWG)					
比例(SCALE)	1/1	圖紙(SIZE)	A4	頁次(SHEET)	1
核准(APP'D)		版次(REV.)	A		