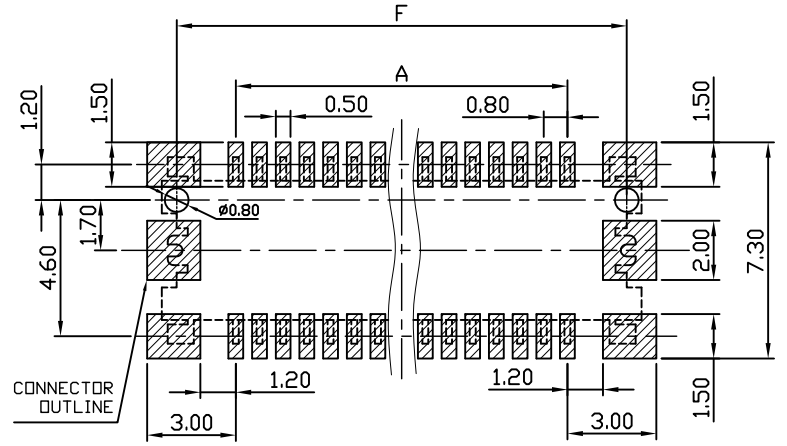
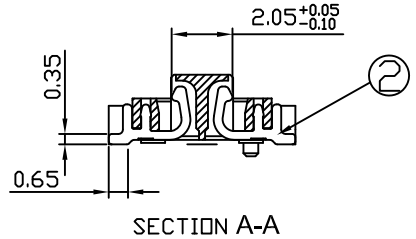
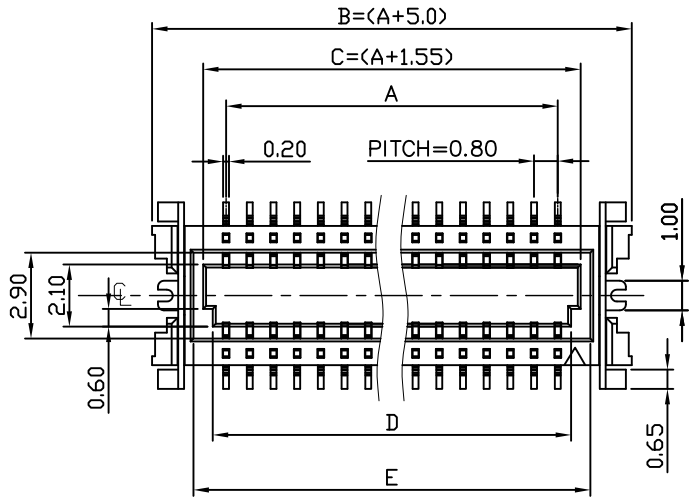
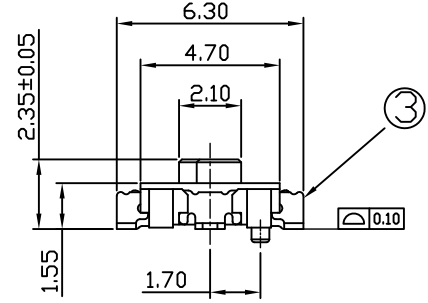
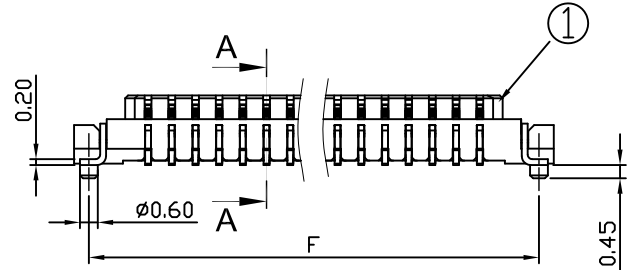


REV.	NOTES	DATE
A	RELEASED	2022/05/20



: STAND OFF AREA
 TOLERANCE: ±0.05
 RECOMMENDED PCB LAYOUT
 (TOP VIEW)



AABT+080XXP-BBCA
 NO. OF CONTACT CODE

LTR	Part Name	Material	Description	QTY
1	Housing	LCP UL94V-0	+30%GF 260°C for 10 Seconds. Initial : 1000M Ohms Min.	1
2	Contact	Bronze C5191	Current Rating : 0.5 A Initial : 30m Ohms Max.	XX
3	Fitting Nail	Brass C2680	Current Rating : 0.5 A Initial : 30m Ohms Max.	2

Temperature Rating : -40°C ~ +105°C .
Dielectric Withstanding Voltage : 300 V AC/Min

Circuit No.	Dimensions					
	A	B (A+5.0)	C (A+1.55)	D (A+0.9)	E (A+2.2)	F (A+4.0)
2*6P	4.00	9.00	5.55	4.90	6.20	8.00
2*10P	7.20	12.20	8.75	8.10	9.40	11.20
2*15P	11.20	16.20	12.75	12.10	13.40	15.20
2*20P	15.20	20.20	16.75	16.10	17.40	19.20

DIMENSIONS TOLERANCE METRIC	
X	:±0.5
X.X	:±0.38
X.XX	:±0.25
ANGLES	
X	:±1°
X.X	:±0.5°

單位(UNITS)	mm	東莞翊豐精密五金有限公司
數量(QTY)	N/A	
材料(MTL)	SEE NOTE	
處理(FINISH)	SEE NOTE	
繪圖(DRAW)		圖名(NAME) PH0.8 BT0B H1.55 公座本色成品圖 ROHS
設計(DE'N)		料號(PART NUMBER) AABT+080XXP-BBCA
審核(CH'K)		圖號(DRAW NUMBER)
核准(APP'D)		圖檔(FILE NAME .DWG)
		比例(SCALE) 1/1
		圖紙(SIZE) A4
		頁次(SHEET) 1/2
		版次(REV.) A