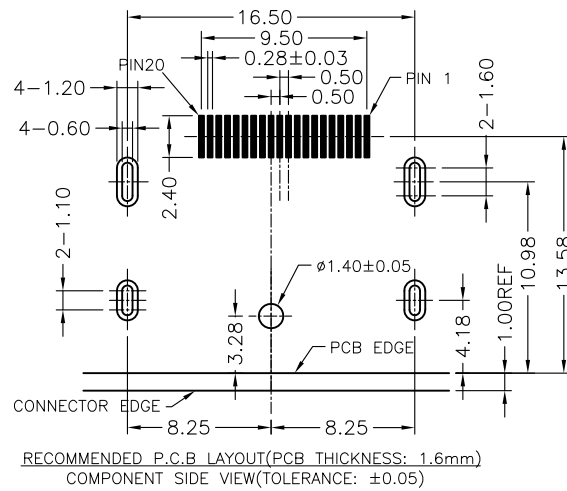
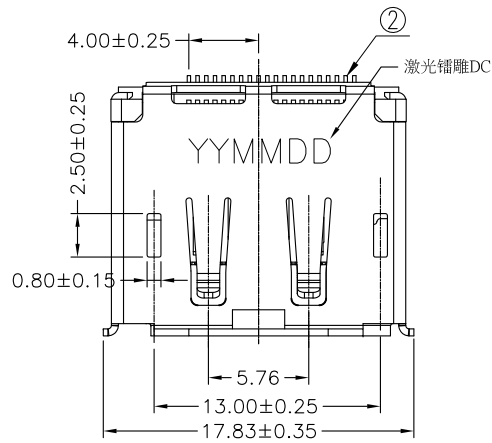


REV.	NOTES	DATE
01	RELEASED	2018/06/04



NOTE:

1.Material

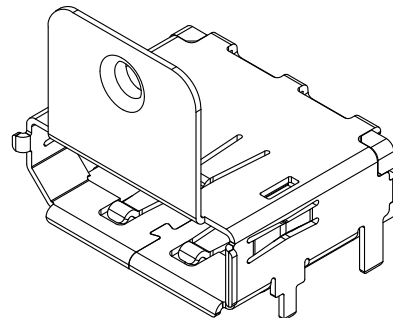
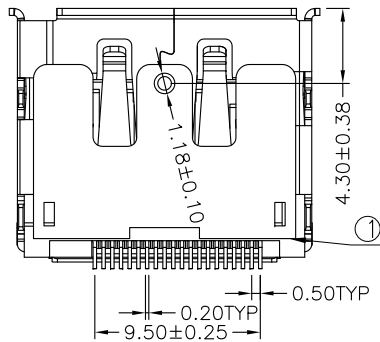
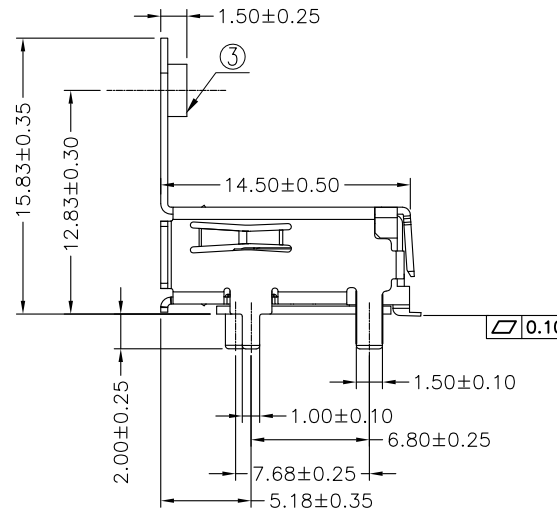
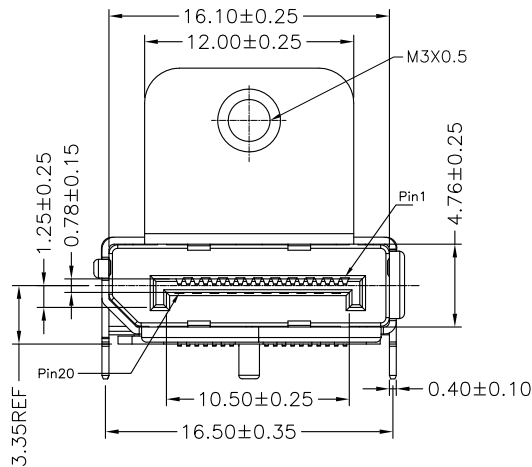
- 1.1 HOUSING: LCP, UL 94V-0;COLOR: BLACK.
- 1.2 CONTACT: C2680, T=0.20mm.
- 1.3 SHIELD: C2680, T=0.40mm.

2.Plating

- 2.1 Terminal:GOLD(0.6u") PLATING IN CONTACT AREA, 50u"MIN Tin PLATED IN SOLDER AREA, 30u" MIN. NICKEL UNDERPLATED OVERALL.
- 2.2 Shell:50u" MIN. NICKEL UNDERPLATED OVERALL.

3.Electrical

- 3.1 Current rating: 0.5A
- 3.2 Rated Voltage: 40V MAX
- 3.3 TEMPERATURE: -20°C TO +65°C
- 3.4 Contact Resistance: 40mΩ MAX
- 3.5 Insulation Resistance:
  - a, UNMATED: 100MΩ MIN AT 500 VDC
  - b, MATED: 10M OHMS MIN AT 150 VDC
- 3.6 Dielectric Withstanding Voltage:500V AC/1MINUTEL
- 3.7 Insertion Force: 45N MAX  
Withdrawal Force: 8N MIN
- 3.8 Durability: 5000 cycles ;



DIMENSIONS TOLERANCE METRIC

- X :±0.5
- X.X :±0.38
- X.XX :±0.25
- ANGLES
- X :±1°
- X.X :±0.5°

3	SHIELD	C2680	NI 50u"PLATED
2	CONTACT	C2680	GOLD(0.6u") PLATING IN CONTACT AREA,50u"MIN Tin PLATED IN SOLDER AREA, 30u" MIN. NICKEL UNDERPLATED OVERALL.
1	HOUSING	LCP	BLACK UL94V-0
NO. PART NAME		MATERIAL	DESCRIPTION

單位(UNITS)	mm						
數量(QT'Y)	N/A						
材料(MT'L)	SEE NOTE						
處理(FINISH)	SEE NOTE						
繪圖(DRAW)	圖名(NAME)						
設計(DE'N)	DP 90度SMT有卷边带螺丝孔12.83 ROHS						
審校(CH'K)	料號(PART NUMBER)			AADP+DP08A-LBA11			
	圖號(DRAW NUMBER)						
核准(APP'D)	圖檔(FILE NAME .DWG)						
	比例(SCALE)	1/1	圖紙(SIZE)	A4	頁次(SHEET)	1	版次(REV.)

東莞翊豐精密五金有限公司