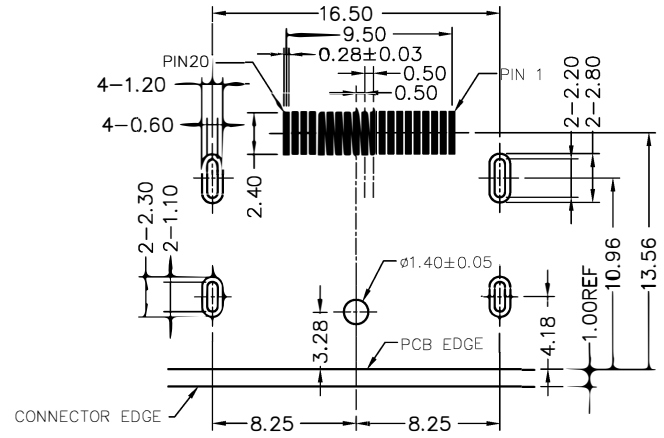
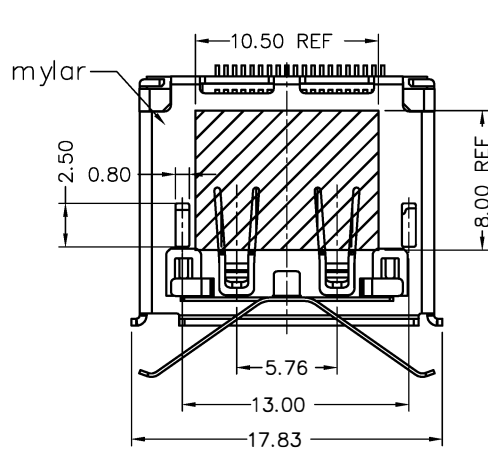
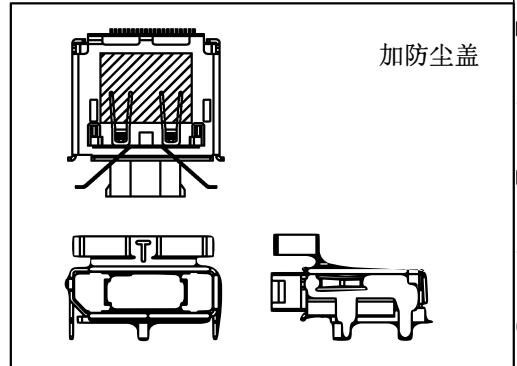
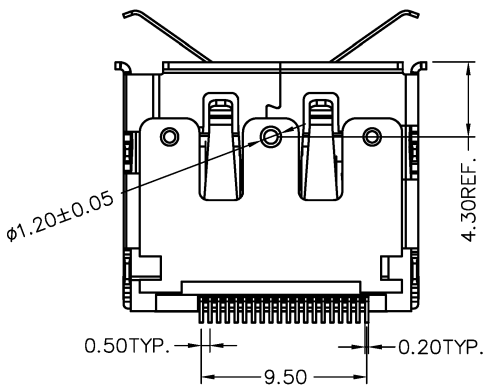
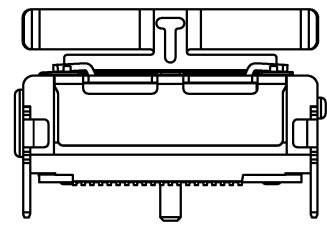
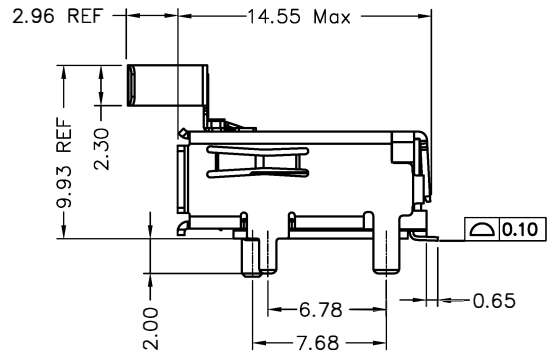
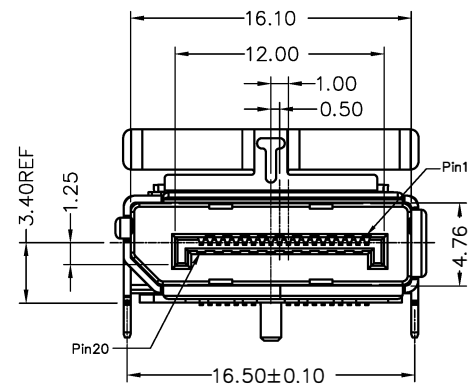


| REV. | NOTES    | DATE       |
|------|----------|------------|
| 01   | RELEASED | 2018/08/17 |



RECOMMENDED P.C.B LAYOUT(PCB THICKNESS: 1.6mm)  
COMPONENT SIDE VIEW(TOLERANCE: ±0.05)

- NOTES:
- MATERIAL:
    - HOUSING: LCP,UL94V-0,BLACK;
    - TERMINAL: C2680,T=0.20mm;
    - SHELL: C2680,T=0.40mm;
    - SPRING: SUS ,T=0.20mm;
    - COVER: LCP,UL94V-0,BLACK;
    - CAP: LCP,UL94V-0,BLACK;
    - MYLAR: POLYIMIDE
  - PLATING SPECIFICATION:
    - TERMINAL: GOLD SEE P/N PLATING ON CONTACT AREA & SOLDER AREA. 50u" MIN. NICKEL UNDERPLATED OVERALL.
    - SHELL: NICKEL 50u" min;
    - SPRING: CLEAN
  - ELECTRICAL PERFORMANCE
    - Rated Voltage: 40V
    - Rated Current: 0.5A Max.
    - CONTACT RESISTANCE : 40m OHMS MAX.
    - INSULATION RESISTANCE: 100MΩ MIN.
    - DIELECTRIC WITHSTANDING VOLTAGE;500V AC(RMS)
  - MECHANICAL PERFORMANCE
    - INSERTION FORCE : 4.5kgf MAX.
    - EXTRACTION FORCE : 1.0~4.0kgf MIN.
    - DURABILITY:10000 CYCLES
    - OPERATING TEMPERATURE:-20°C~+85°C



|            |          |
|------------|----------|
| 單位(UNITS)  | mm       |
| 數量(QTY)    | N/A      |
| 材料(MTL)    | SEE NOTE |
| 處理(FINISH) | SEE NOTE |

東莞翊豐精密五金有限公司  
圖名(NAME)  
DP 90度SMT有卷边加彈片帶定位柱 ROHS

| DIMENSIONS TOLERANCE METRIC |       |
|-----------------------------|-------|
| X                           | ±0.5  |
| X.X                         | ±0.38 |
| X.XX                        | ±0.25 |
| ANGLES                      |       |
| X                           | ±1°   |
| X.X                         | ±0.5° |

|           |  |                    |                  |
|-----------|--|--------------------|------------------|
| 繪圖(DRAW)  |  | 料號(PART NUMBER)    | AADP+DP07B-LBA16 |
| 設計(DE'N)  |  | 圖號(DRAW NUMBER)    |                  |
| 審校(CH'K)  |  | 圖檔(FILE NAME .DWG) |                  |
| 核准(APP'D) |  | 比例(SCALE)          | 1/1              |
|           |  | 圖紙(SIZE)           | A4               |
|           |  | 頁次(SHEET)          | 1                |
|           |  | 版次(REV.)           | 01               |