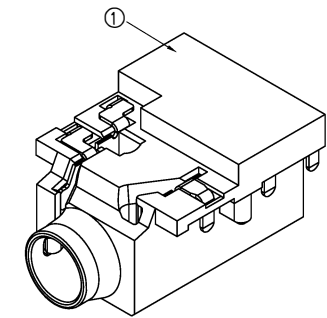


REV.	NOTES	DATE
01	RELEASED	2018/07/17

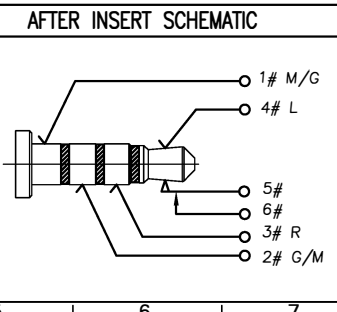
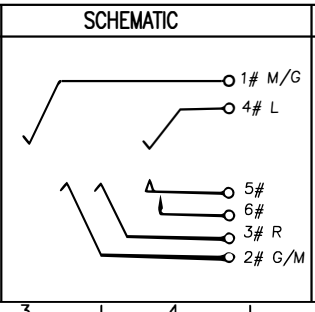
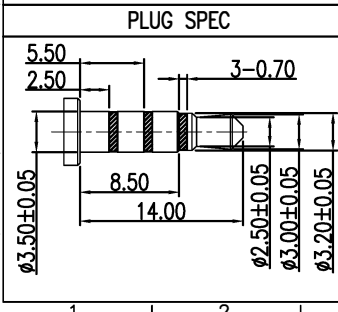
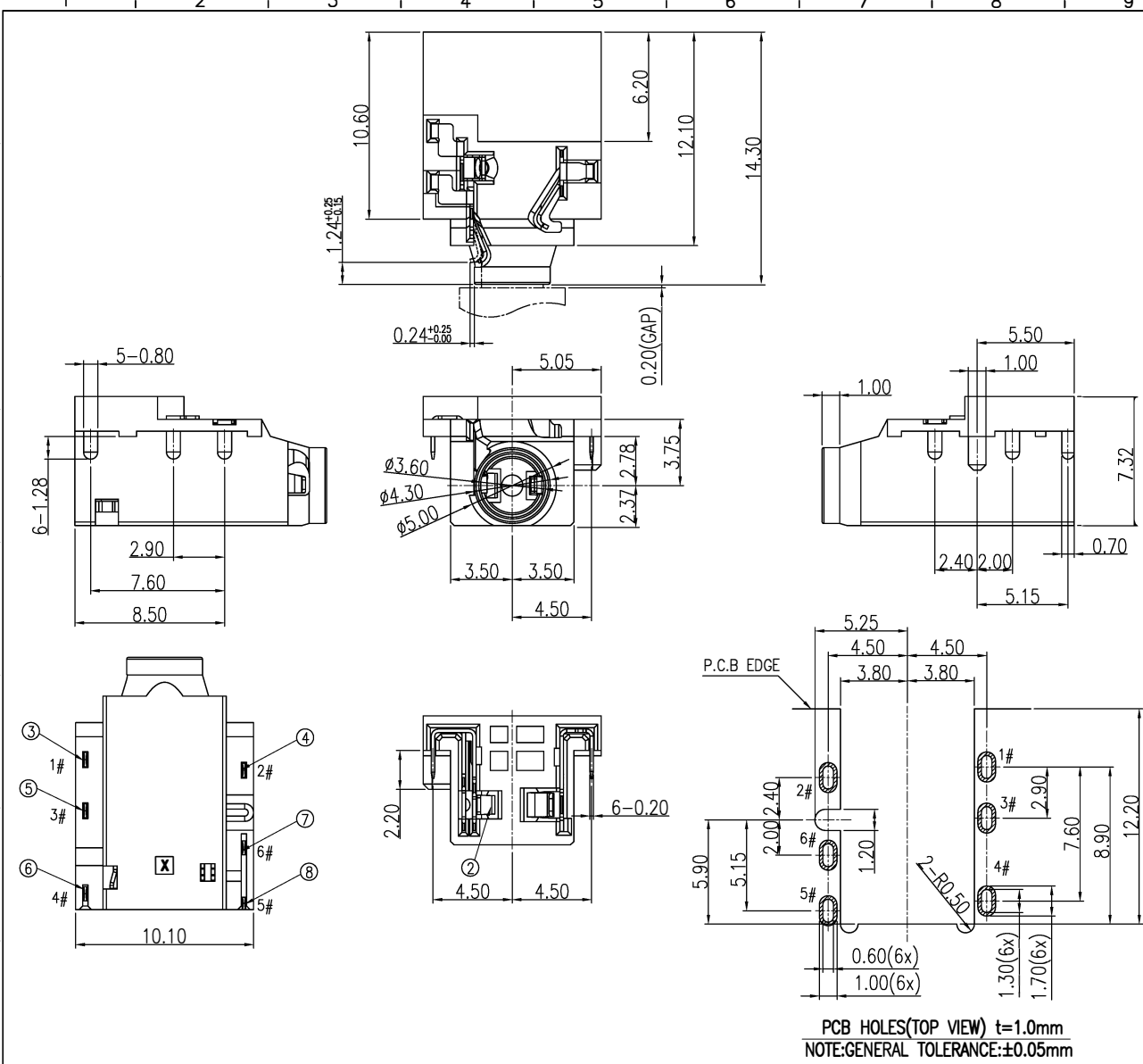


3D VIEW

- NOTES:
- MATERIAL: SEE "TABLE 1";
 - FINISH: SEE "TABLE 1";
 - ELECTRICAL:
 - VOLTAGE RATING: 12 VAC RMS;
 - CURRENT RATING: 0.5 AMP;
 - CONTACT RESISTANCE: 50mΩ Max.(Initial), 100mΩ Max.(After Life test);
 - INSULATION RESISTANCE: 1000 MΩ Min., 500VDC.(Initial), 100 MΩ Min., 500VDC.(After Humidity test);
 - WITHSTAND VOLTAGE: 500 VAC RMS 50(60)Hz, 1 minute;
 - MECHANICAL:
 - MATING FORCE: 2.0Kgf MAX.;
 - UNMATING FORCE: 0.5Kgf MIN.;
 - OPERATING LIFE: 5000 CYCLES MIN.;
 - ENVIRONMENTAL:
 - OPERATION: -30°C~+80°C.

TABLE 1:

NO.	PART NAME	QTY	MATERIAL	DESCRIPTION	REMARK
⑧	Contact_5	5	Copper Alloy	CONTACT AREA: 0.6U*MIN SOLDER AREA: 0.6U*MIN 30u" OVER ALL	T=0.20mm
⑦	Contact_6	6	Copper Alloy		T=0.20mm
⑥	Contact_4	4	Copper Alloy		T=0.20mm
⑤	Contact_3	3	Copper Alloy		T=0.20mm
④	Contact_2	2	Copper Alloy		T=0.20mm
③	Contact_1	1	Copper Alloy		T=0.20mm
②	Separator	1	HIGH TEMP	BLACK,UL94V-0	
①	Housing	1	HIGH TEMP	BLACK,UL94V-0	



DIMENSIONS TOLERANCE METRIC

X	±0.5
X.X	±0.38
X.XX	±0.25
ANGLES	
X	±1'
X.X	±0.5'

東莞翊豐精密五金有限公司

圖名(NAME)

φ3.5mm Phone Jack 沉板中心2.78MM

料號(PART NUMBER)	AAPJ+3 E0 6G1-0 2Z
圖號(DRAW NUMBER)	
圖檔(FILE NAME .DWG)	
比例(SCALE)	1/1
圖紙(SIZE)	A4
頁次(SHEET)	1
版次(REV.)	01