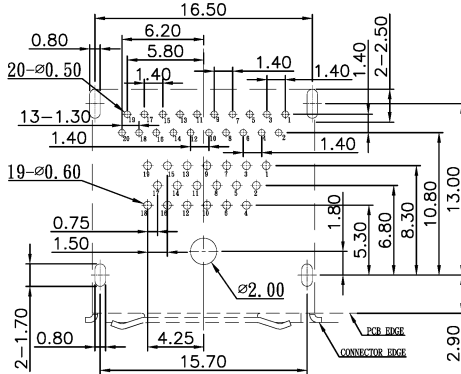
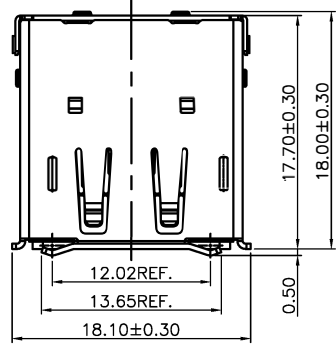


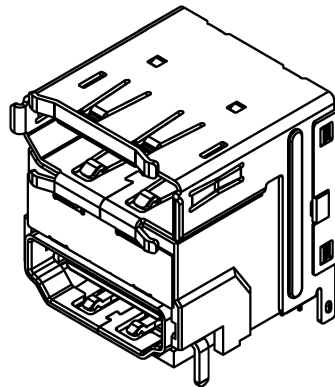
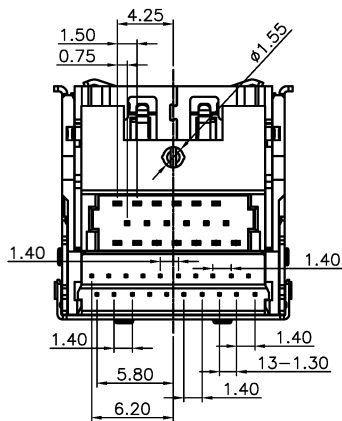
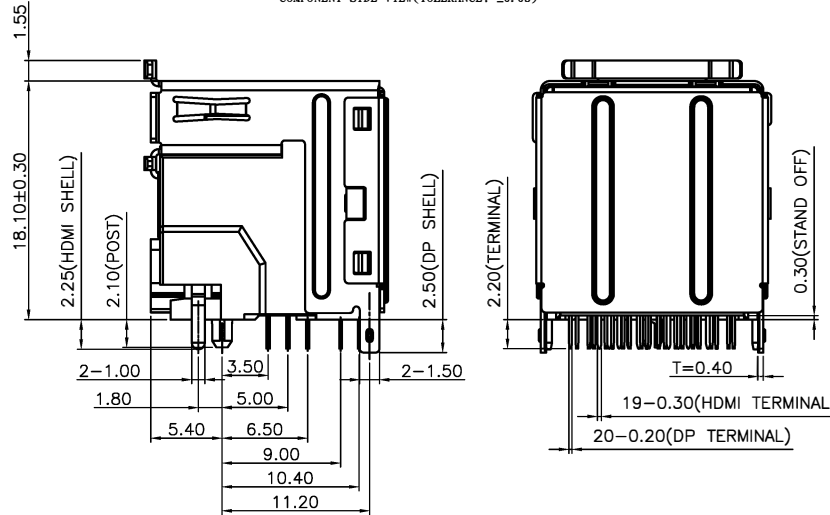
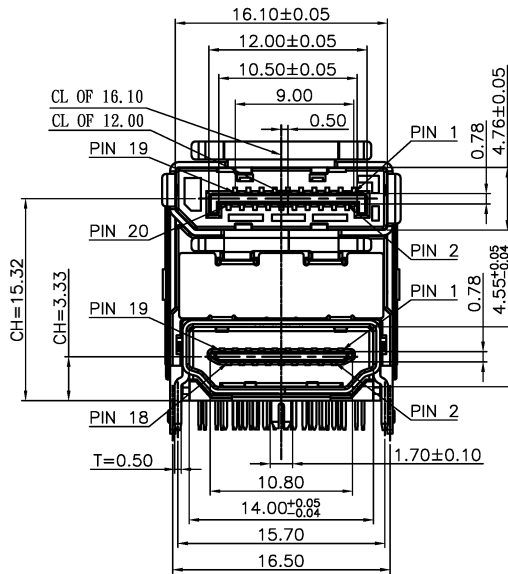
REV.	NOTES	DATE
01	RELEASED	2022/02/02



RECOMMENDED P. C. B LAYOUT (PCB
THICKNESS: 1.2mm)
COMPONENT SIDE VIEW (TOLERANCE: ±0.05)

NOTE:

1. MECHANICAL:
 - 1.1 DP HOUSING: PBT, UL94V-0, COLOR: BLACK.
 - 1.2 DP CONTACT INSERTMOLD: LCP, UL94V-0, COLOR: BLACK.
 - 1.3 HDMI HOUSING AND COVER: LCP, UL94V-0, COLOR: BLACK.
 - 1.4 DP & HDMI CONTACT: BRASS.
 - 1.5 DP SHELL: STAINLESS STEEL, (T=0.4mm.)
 - 1.6 HDMI SHELL: STAINLESS STEEL, (T=0.5mm.)
 - 1.7 REAR COVER: STAINLESS STEEL, (T=0.3mm.)
 - 1.8 MIDDLE SHIELD: STAINLESS STEEL, (T=0.15mm.)
2. PLATING:
 - 2.1 CONTACT:
 - Au(1u" MIN.) PLATED ON CONTACT AREA.
 - Tin(80u" MIN.) PLATED ON SOLDER AREA.
 - Ni(30u" MIN.) UNDER PLATED OVERALL.
 - 2.2 SHELL:
 - Ni(50u" MIN.) PLATED OVERALL.
 - 2.3 REAR SHELL & MIDDLE SHIELD:
 - NON-PLATED.
3. MECHANICAL PERFORMANCE:
 - 3.1 TOTAL MATING FORCE: 4.5kgf MAX.
 - 3.2 TOTAL UNMATING FORCE: 1.0kgf MIN.
4. ELECTRICAL PERFORMANCE:
 - 4.1 CURRENT RATING: 0.5 AMPERE PER CONTACT.
 - 4.2 VOLTAGE RATING: 40V AC(RMS) MAX.
 - 4.3 DIELECTRIC WITHSTANDING VOLTAGE: 500V DC(RMS)
 - 4.4 INSULATION RESISTANCE: 100MΩ MIN.
 - 4.5 CONTACT RESISTANCE: 30mΩ MAX.
 5. OPERATING TEMPERATURE: -25° TO +85°
 6. RESISTANCE TO SOLDERING HEAT: 265°C FOR 5 SECONDS.



DIMENSIONS TOLERANCE METRIC	
X	±0.5
X.X	±0.38
X.XX	±0.25
ANGLES	
X	±1°
X.X	±0.5°

單位(UNITS)	mm
數量(QU'TY)	N/A
材料(MT'L)	SEE NOTE
處理(FINISH)	SEE NOTE

東莞翊豐精密五金有限公司							
圖名(NAME)							
双层DP+HDMI 板上中心3.33/15.32带卷边							
料號(PART NUMBER)				AADP+DH02A-LBA20			
圖號(DRAW NUMBER)							
圖檔(FILE NAME .DWG)							
比例(SCALE)	1/1	圖紙(SIZE)	A4	頁次(SHEET)	1/1	版次(REV.)	01