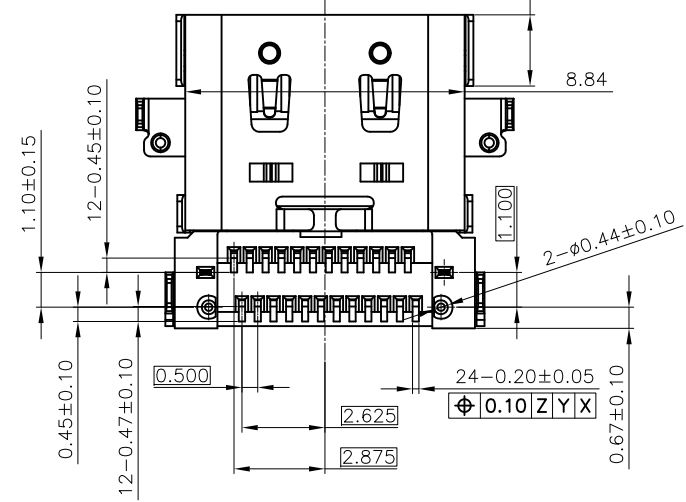
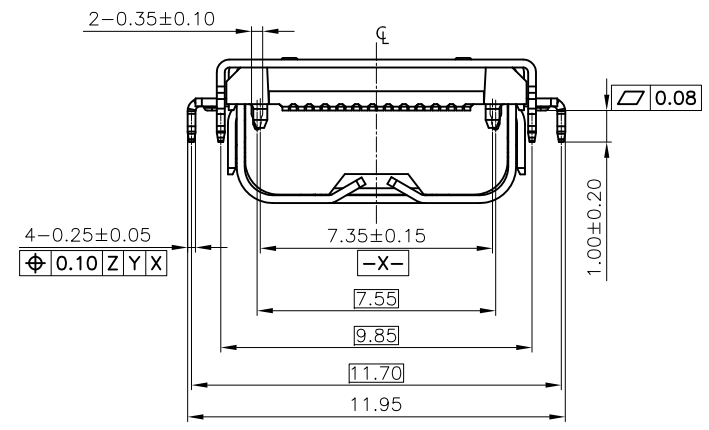
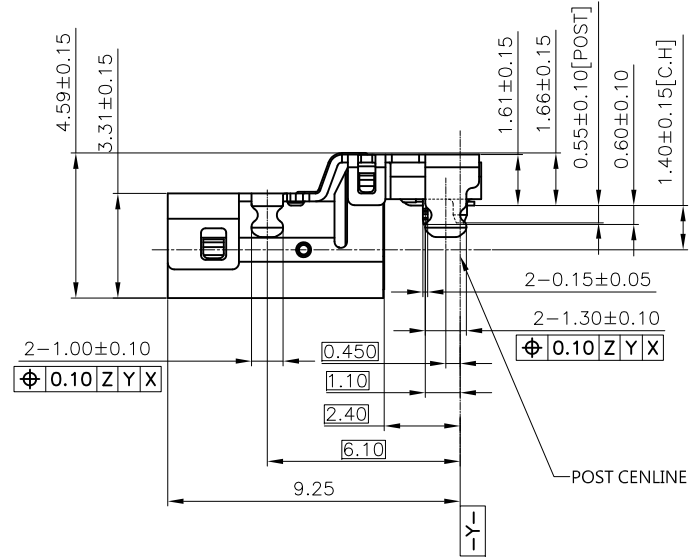
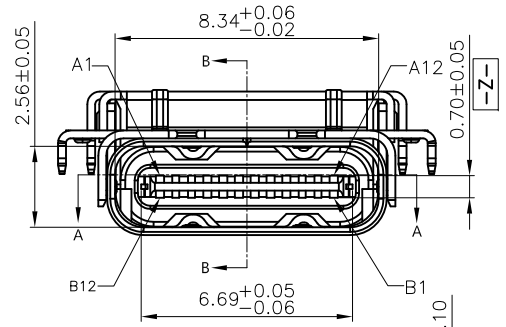
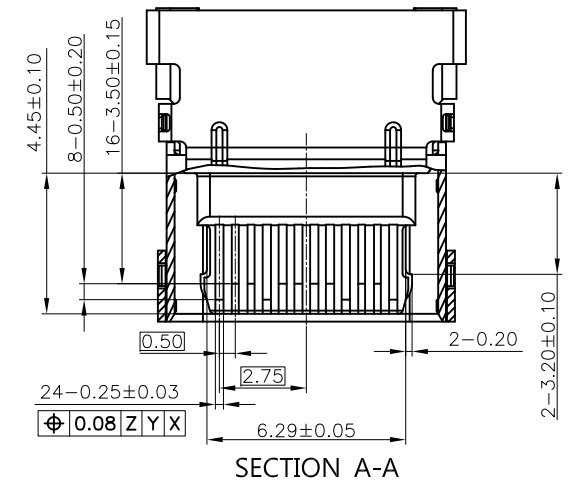
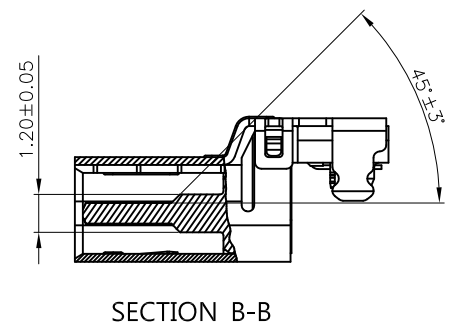
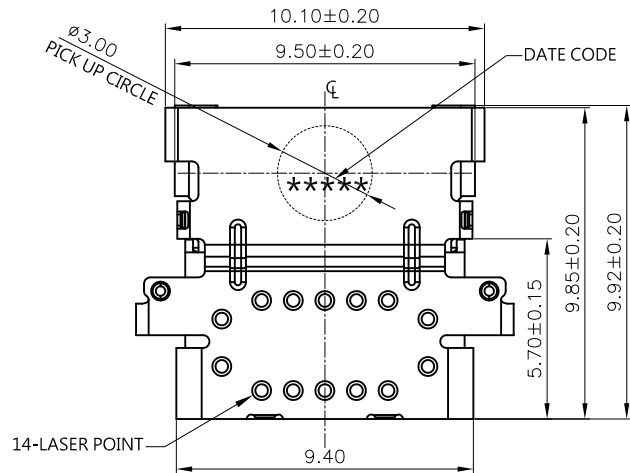


REV.	NOTES	DATE
A	RELEASED	2023/07/03

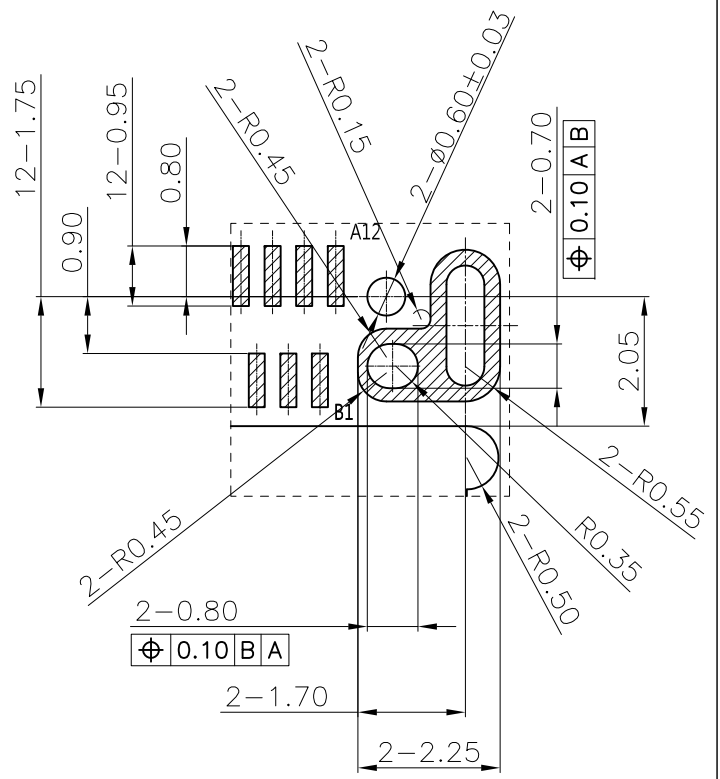
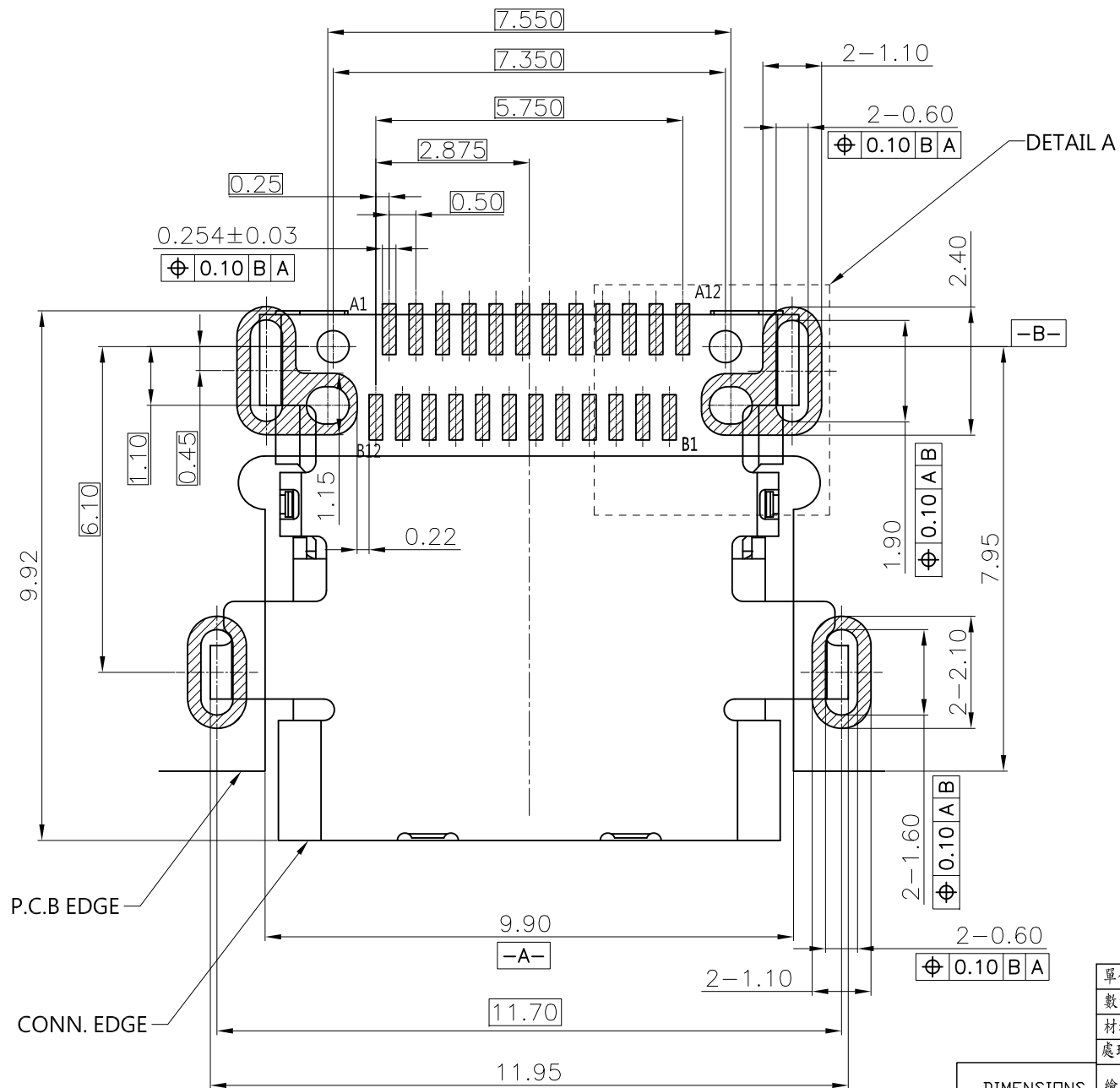


DIMENSIONS TOLERANCE METRIC
 .0= ±0.3
 .00= ±0.2
 .000= ±0.1
 ANG.=± 1°

單位(UNITS)	mm
數量(QTY)	N/A
材料(MTL)	SEE NOTE
處理(FINISH)	SEE NOTE

東莞翊豐精密五金有限公司			
圖名(NAME) USB 4.0 TYPE C 沉板双贴24P CH=1.4mm			
料號(PART NUMBER)	AUS+C064+140B		
圖號(DRAW NUMBER)	RAUSC064140B		
圖檔(FILE NAME .DWG)	jianwu_L1_F共享-USB 4.0 TYPE C 沉板双贴SMT CH1.4		
比例(SCALE)	1:1	圖紙(SIZE)	A4
頁次(SHEET)	1/3	版次(REV.)	A

REV.	NOTES	DATE
A	RELEASED	2023/07/03



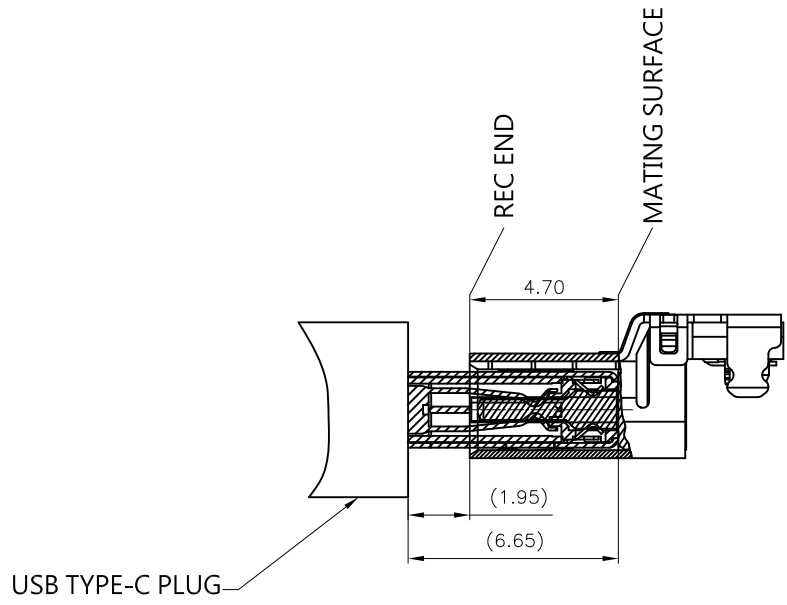
RECOMMEND P.C.B LAYOUT [TOP VIEW]
 DEFAULT TOLERANCE ±0.05 [P.C.B THICKNESS=1.0mm]
 SCALE: 2:1

DIMENSIONS TOLERANCE METRIC
 .0= ±0.3
 .00= ±0.2
 .000= ±0.1
 ANG.=± 1°

單位(UNITS)	mm
數量(QTY)	N/A
材料(MTL)	SEE NOTE
處理(FINISH)	SEE NOTE

東莞翊豐精密五金有限公司			
圖名(NAME) USB 4.0 TYPE C 沉板双贴24P CH=1.4mm			
料號(PART NUMBER)	AUS+C064+140B		
圖號(DRAW NUMBER)	RAUSC064140B		
圖檔(FILE NAME .DWG)	jianwuLn_F共享-USB 4.0 TYPE C 沉板双贴SMT CH1.4		
比例(SCALE)	2:1	圖紙(SIZE)	A4
頁次(SHEET)	2/3	版次(REV.)	A

REV.	NOTES	DATE
A	RELEASED	2023/07/03



- NOTE:
- MATERIAL SPECIFICATION
HOUSING_BLACK: LCP_E6808UHF+40%GF[UL94V-0]
CONTACT PIN: COPPER ALLOY_C18400
OUT SHELL: SUS_304 3/4H
MID SHELL: SUS_301 EH [T=0.15]
IN SHELL: SUS_304 3/4H
 - PLATING SPECIFICATION
CONTACT PIN: NICKEL 50u"(Min.) UNDER PLATING OVER ALL.
GOLD PLATING 30u"(Min.) ON CONTACT AREA.
MATTE_TIN 80u"(Min.) PLATING ON SOLDER AREA.
OUT SHELL: NICKEL 50u"(Min.) PLATING ON SOLDER AREA
IN SHELL: NICKEL 50u"(Min.) PLATING ON SOLDER AREA
MID SHELL: NICKEL 50u"(Min.) PLATING ON SOLDER AREA
 - HF COMPLIANT, RoHS COMPLIANT
 - ELECTRICT
CURRENT RATING: 5.0A(Max.)
VOLTAGE RATING: 20V AV [RMS].
 - ENVIRONMENTAL
TEMPERATURE: -25°C TO +85°C
 - IR REFLOW
THE PEAK TEMPERATURE ON THE BOARD SHALL
MAINTAIN 10±1 SECONDS AT 260±5°C

USB TYPE-C PIN ASSIGNMENTS

PIN NUMBER	SIGNAL NAME	PIN NUMBER	SIGNAL NAME
A1	GND	B12	GND
A2	SSTXp1	B11	SSRXp1
A3	SSTXn1	B10	SSRXn1
A4	Vbus	B9	Vbus
A5	CC1	B8	SBU2
A6	Dp1	B7	Dn2
A7	Dn1	B6	Dp2
A8	SBU1	B5	CC2
A9	Vbus	B4	Vbus
A10	SSRXn2	B3	SSTXn2
A11	SSRXp2	B2	SSTXp2
A12	GND	B1	GND

7.DATE CODE FORMAT
XXXXX
└──┬──┬──┬──┬──
DAY WEEK YEAR

DIMENSIONS TOLERANCE METRIC .0= ±0.3 .00= ±0.2 .000= ±0.1 ANG.=± 1°	單位(UNITS)	mm	東莞翊豐精密五金有限公司					
	數量(QTY)	N/A						
	材料(MTL)	SEE NOTE						
	處理(FINISH)	SEE NOTE						
繪圖(DRAW)	圖名(NAME) USB 4.0 TYPE C 沉板双贴24P CH=1.4mm							
設計(DE'N)	料號(PART NUMBER)	AUS+C064+140B						
審核(CH'K)	圖號(DRAW NUMBER)	RAUSC064140B						
核准(APP'D)	圖檔(FILE NAME .DWG)	jjianwL_n: F共享-USB 4.0 TYPE C 沉板双贴SMT CH1.d						
比例(SCALE)		1:1	圖紙(SIZE)	A4	頁次(SHEET)	3/3	版次(REV.)	A